



RADIACO[®]

STYLISH HEATING
2024



 **RADIACO**[®]
STYLISH HEATING

RADIACO[®]



Zahir-ol-Eslaam ancient bath _ Anthropology museum of Ardebil

In the past, Iranian traditional public baths were a place for socializing, entertainment, solving problems and sometimes a place for traditional rituals and ceremonies.

Traditional baths consisted of four main parts. First place was "Bineh" where they slowly removed their clothes to get used to the hot and humid air in the bathroom. Second, there was a place called "Miandar" to do personal issues and also where was a branch to the toilets. Third place was the main part of bathroom to wash hair and body called "Garmkhaneh". Cistern or watering place was in Garmkhaneh; also in some baths there was a swimming pool.

But how to warm up the water; Bath main engine room called "Toon" that was the fourth main part of the bath. In this place they poured water into a huge boiler, which was mixture of seven different metals including zinc, copper, tin, lead and some other materials. Under that pot was a big flaming fire. The boiler was heat resistant and also kept the heat inside for a long time and cooled down late.

They used the fire under the boiler to heat the bath air by directing smoke and fire to the channels that were made under the bath floor. This caused warming of the floor stones and then the bathroom was warmed. In today's buildings, Radiators do this by means of various hot water sources.



ABOUT US :

"Bayazian house and architectural group" was founded in 2008 with the aim of designing, manufacturing and supplying a wide range of required materials in the construction industry.

RADIACO is division of Bayazian house and architectural holding and one of the leading manufacturers in producing radiators, towel rails and stainless steel accessories in Iran. RADIACO as a brand officially started its activity in 2018.

RADIACO productions includes designing radiators, standing radiators, towel rails and accessories using stainless steel, combination of steel and thermo wood, glass and mirror. In addition to beauty, durability and non-sedimentation, stainless steel has a high thermal coefficient. It heats up quickly and retains heat for a long time and has much higher heating potential than iron, aluminum and other metals.

We have always adhered to the principals of global standards and safety rules in our product. Radiators and towel rails are produced according the European Standard EN442, passes the relevant quality control and then be launched.

RADIACO will provide you with endless solutions by different models, sizes and colors. In addition, with our design unit we are going to offer new products and new shapes due to the changing tastes in interior architecture every year. Uniqueness of RADIACO is to peak beauty and creativity along with concentration on technology and efficiency of products. Thanks to the engineering and design team who share all of their inventions with the end user. Bayazian house and architectural group and RADIACO Co. are proud to have contributed in many prestigious construction projects.

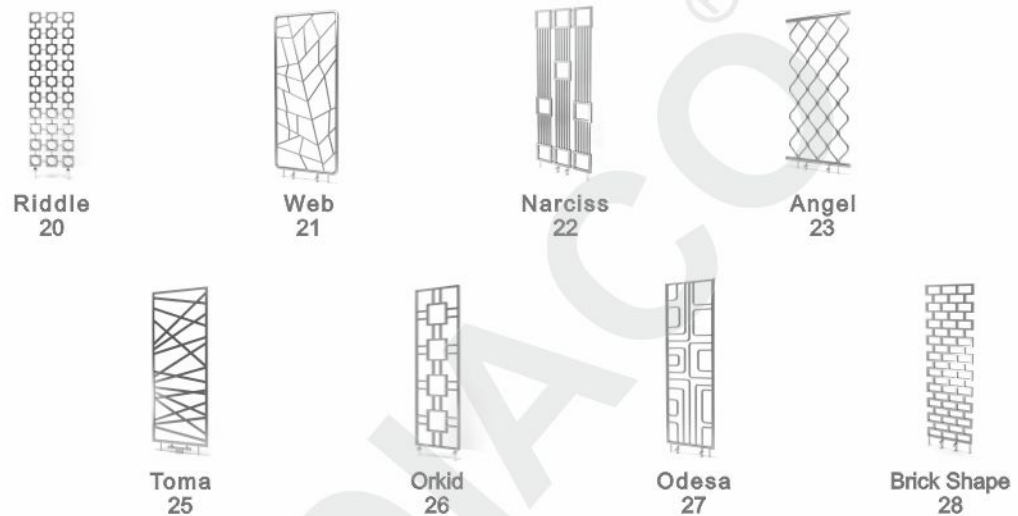


Tower	10
Partition	18
Exclusive	30
Radiator	200
Pattern	212
Wood	224
Glass	236
Simple	250
Accessories	276
Quality	280

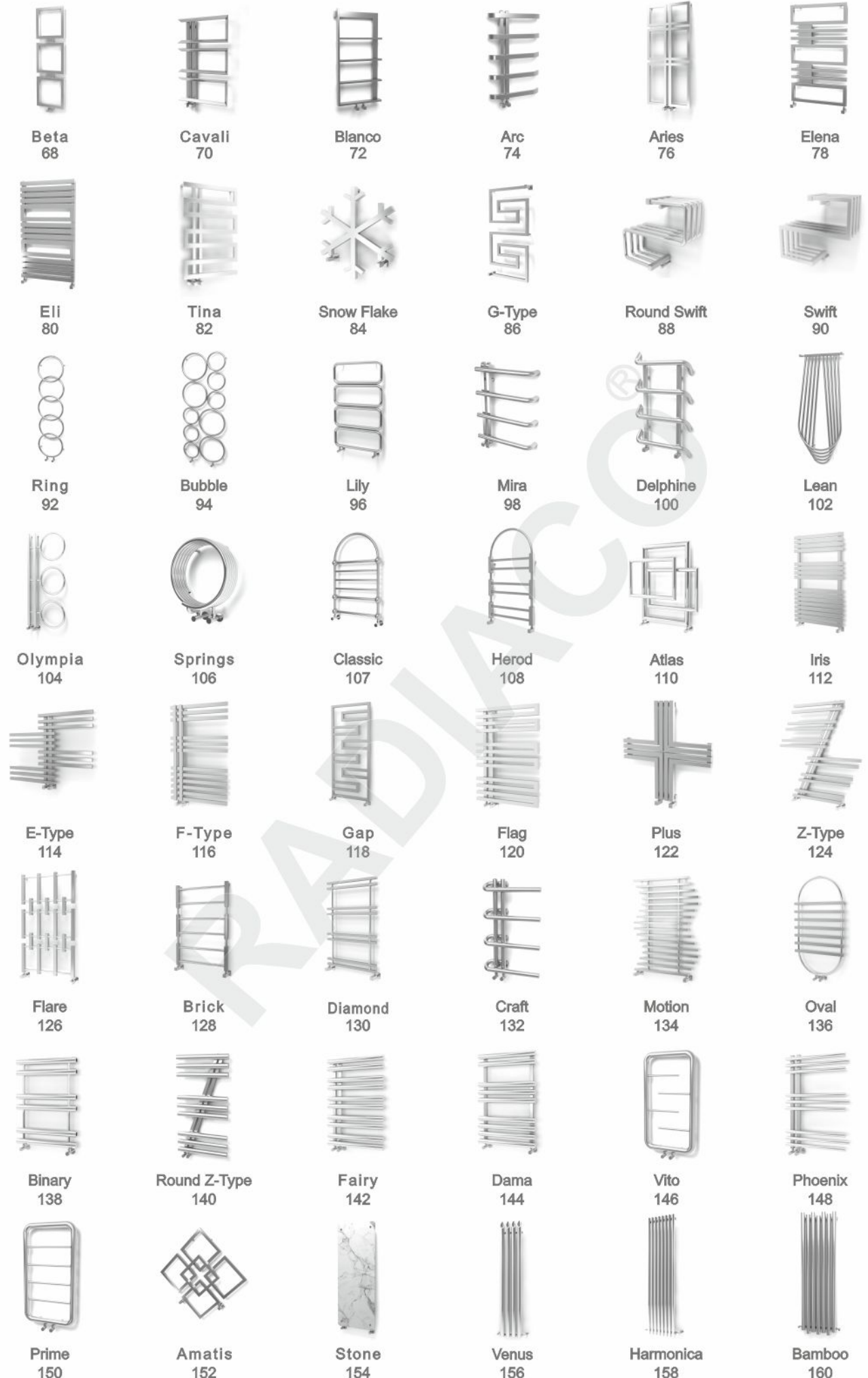
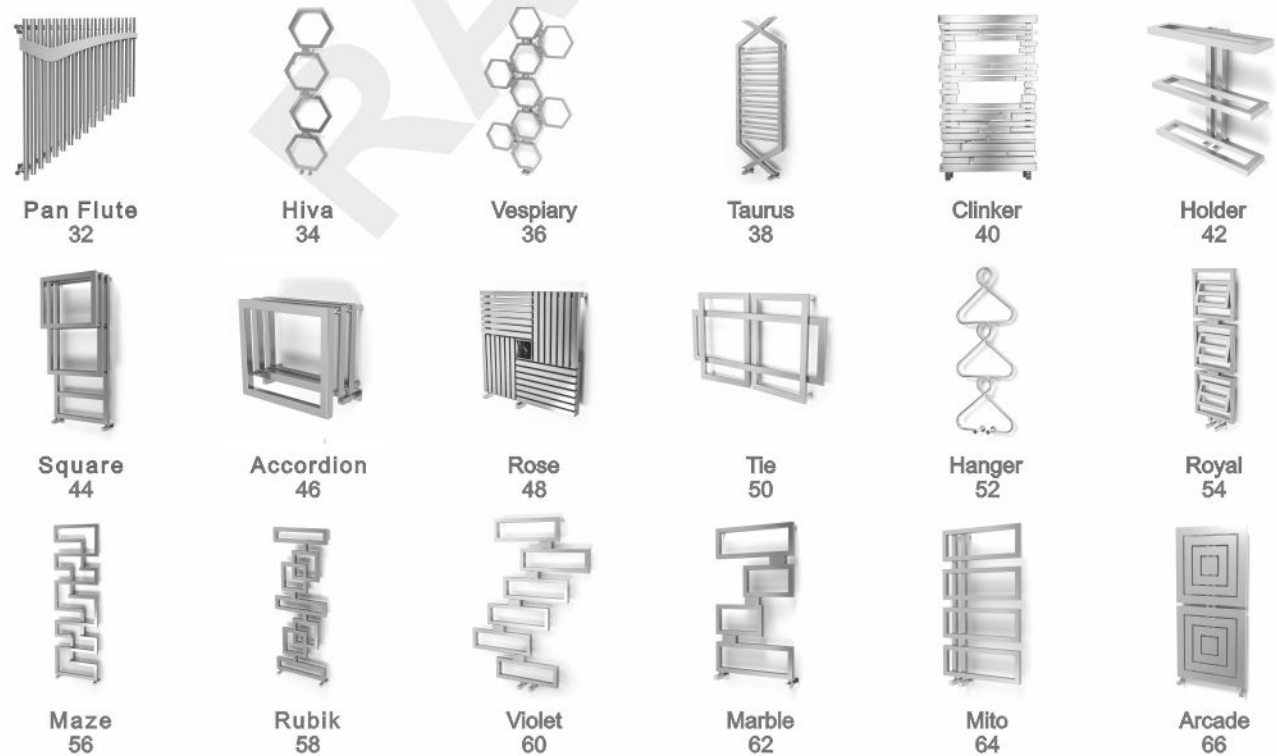
TOWER



PARTITION

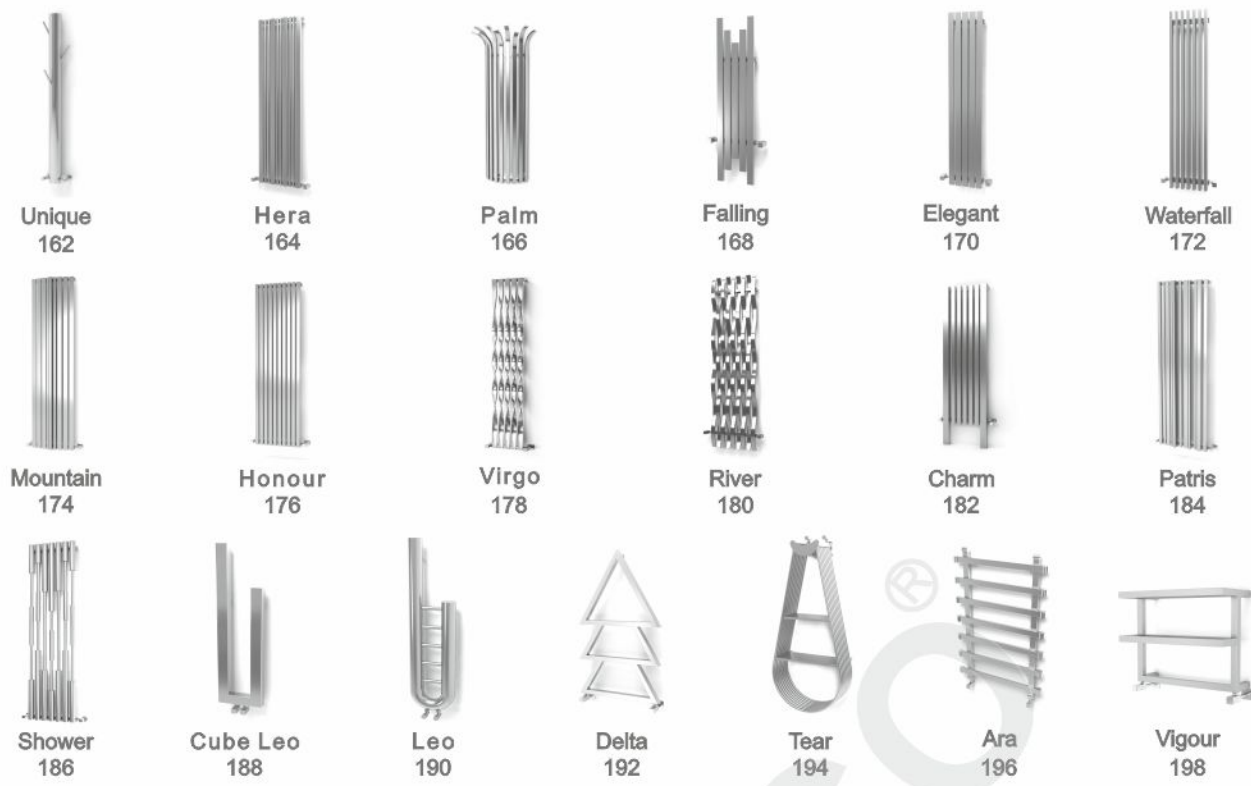


EXCLUSIVE

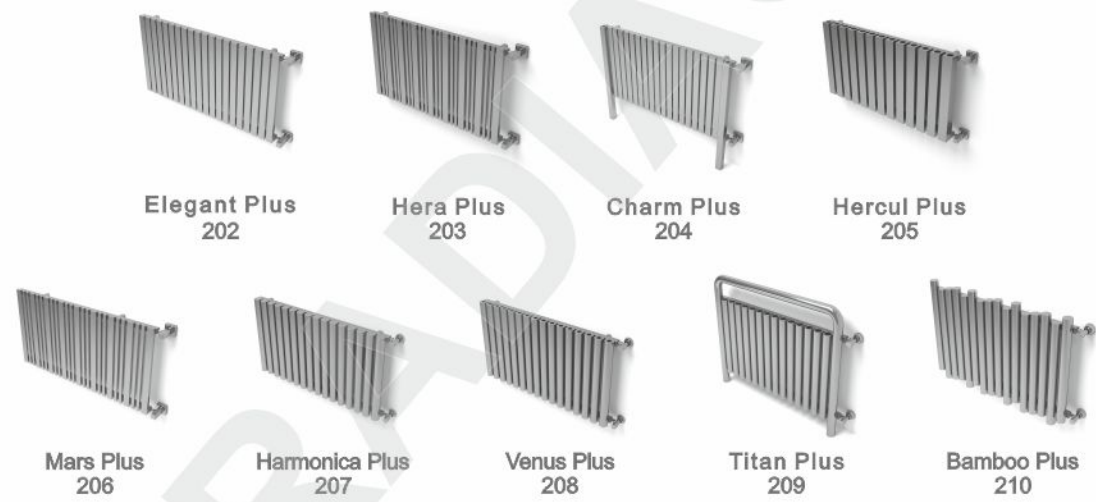


MORE >>

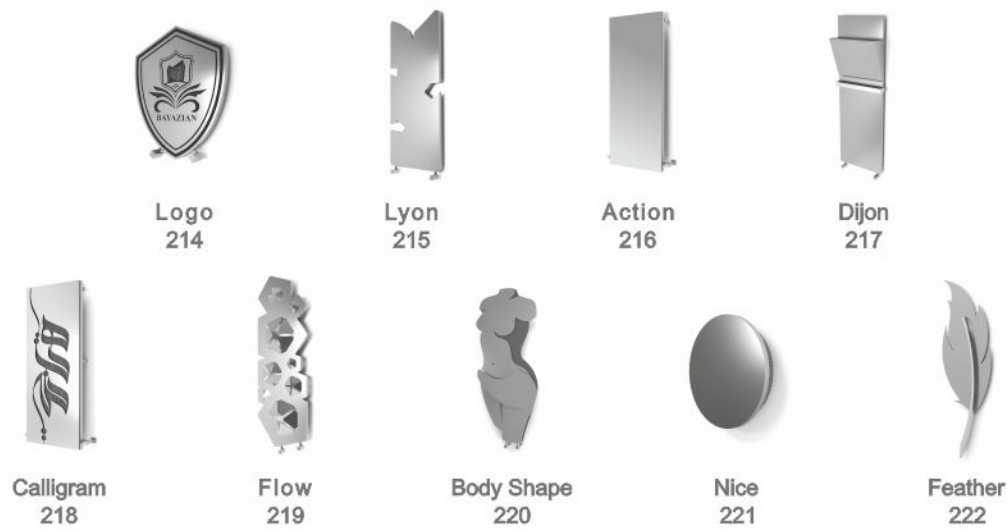
MORE >>



RADIATOR



PATTERN



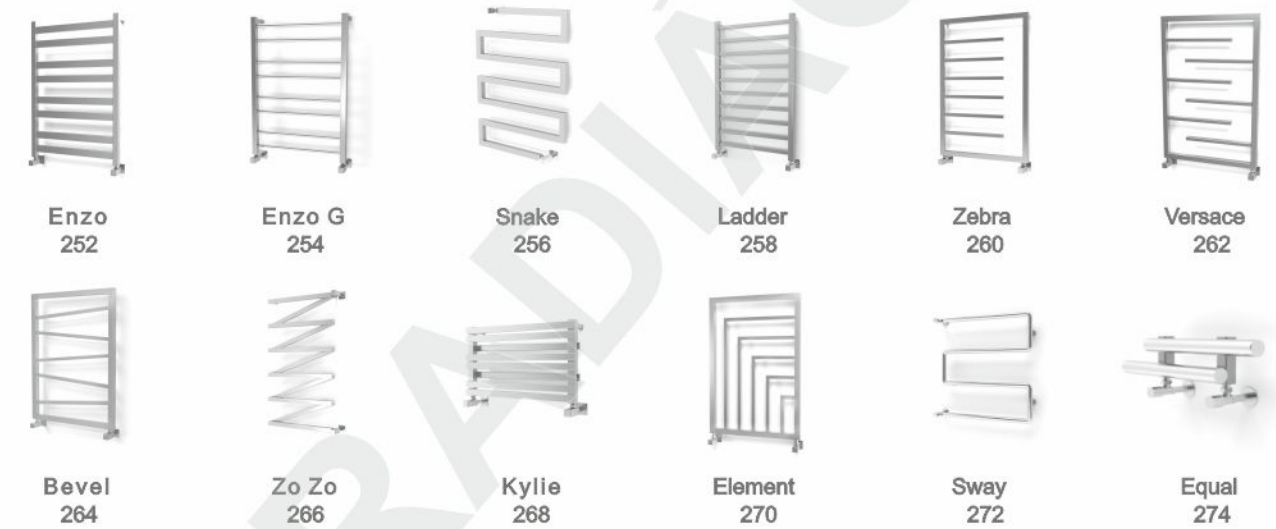
WOOD



GLASS



SIMPLE



INDEX

46 Accordion	128 Brick	270 Element	52 Hanger	96 Lily	32 Pan Flute	256 Snake	36 Vespiary
216 Action	28 Brick Shape	78 Elena	158 Harmonica	214 Logo	184 Patris	84 Snow Flake	198 Vigour
152 Amatis	94 Bubble	80 Eli	207 Harmonica Plus	215 Lyon	148 Phoenix	106 Springs	60 Violet
23 Angel	218 Calligram	252 Enzo	12 Harmony	62 Marble	16 Pillar	44 Square	178 Virgo
196 Ara	70 Cavali	254 Enzo G	203 Hera Plus	206 Mars Plus	122 Plus	154 Stone	244 Visard
74 Arc	182 Charm	274 Equal	164 Hera	56 Maze	150 Prime	272 Sway	146 Vito
66 Arcade	204 Charm Plus	114 E-Type	205 Hercul Plus	98 Mira	20 Riddle	90 Swift	172 Waterfall
76 Aries	107 Classic	142 Fairy	14 Hercules	64 Mito	92 Ring	38 Taurus	21 Web
110 Atlas	40 Clinker	168 Falling	108 Herod	134 Motion	180 River	194 Tear	232 W-Fence
210 Bamboo Plus	132 Craft	222 Feather	34 Hiva	174 Mountain	48 Rose	50 Tie	228 W-Iris
160 Bamboo	188 Cube Leo	120 Flag	42 Holder	22 Narciss	88 Round Swift	82 Tina	230 W-Kylie
242 Barista	144 Dama	126 Flare	176 Honour	221 Nice	140 Round Z-Type	25 Toma	234 W-Orbital
68 Beta	100 Delphine	219 Flow	112 Iris	27 Odesa	54 Royal	209 Titan Plus	226 W-Step
264 Bevel	192 Delta	116 F-Type	268 Kylie	104 Olympia	58 Rubik	162 Unique	260 Zebra
138 Binary	130 Diamond	238 Gallant	258 Ladder	26 Orkid	240 Scales	208 Venus Plus	248 Zeus
72 Blanco	217 Dijon	118 Gap	102 Lean	136 Oval	186 Shower	156 Venus	24 Zodiac
220 Body Shape	170 Elegant	86 G-Type	190 Leo	166 Palm	246 Sky	262 Versace	266 Zo Zo
202 Elegant Plus							

WELCOME TO RADIACO Producer of pleasing, ultra Reliable heating solutions. We take great pride in turning the humble radiator or towel rail into a thing of unexpected beauty and unrivalled performance. Our striking collection has been created, crafted and hand – finished by experts, using only the finest quality materials available.

RADIACO®



Milad Tower - Tehran

Tower TOWER



RADIACO®

HARMONY	12
HERCULES	14
PILLAR	16



HARMONY

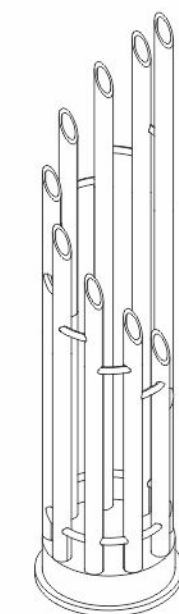
A Tower of strength and beauty. The idea comes from Rhythm and vertical aspects of music. This fabulous on the ground radiator is an architect idea of heaven.



HARMONY

FS MOUNT POSITION
 O C OPEN/CLOSED SYSTEM
 6 WORKING PRESSURE
 120°C WORKING TEMP.
 SS MATERIAL
 5 YEARS WARRANTY

Product Name	Height (mm)	Length (mm)	Depth (mm)	C/C OF Pipes (mm)	Pipes or Sections	Heat Output (BTU/w) ΔT50		Finish S:BrushedMatt P:Polished
HA12T17	1750	400	400	50 - 150	18	4211	1234	S/P





HERCULES

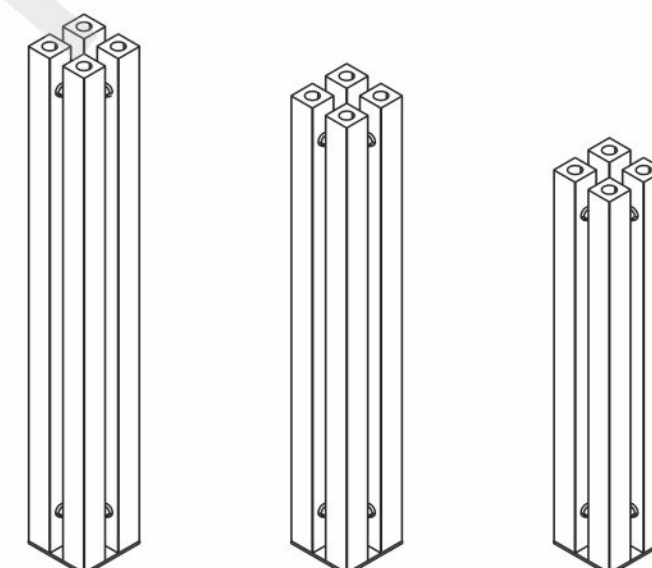
Hitting the right notes. This trendy design is perfect for lofty spaces with its striking appearance and powerful heat delivery. The perfect way to keep warm without losing your cool.



HERCULES

FS MOUNT POSITION
 O C OPEN/CLOSED SYSTEM
 10 WORKING PRESSURE
 120°C WORKING TEMP.
 SS MATERIAL
 5 YEARS WARRANTY

Product Name	Height (mm)	Length (mm)	Depth (mm)	C/C OF Pipes (mm)	Pipes or Sections	Heat Output (BTU/w) ΔT50		Finish S:BrushedMatt P:Polished
HE14T15	1500	260	260	10 - 21	8	4211	1234	S/P
HE14T18	1800	260	260	10 - 21	8	5053	1480	S/P
HE14T20	2000	260	260	10 - 21	8	5614	1645	S/P





Pillar

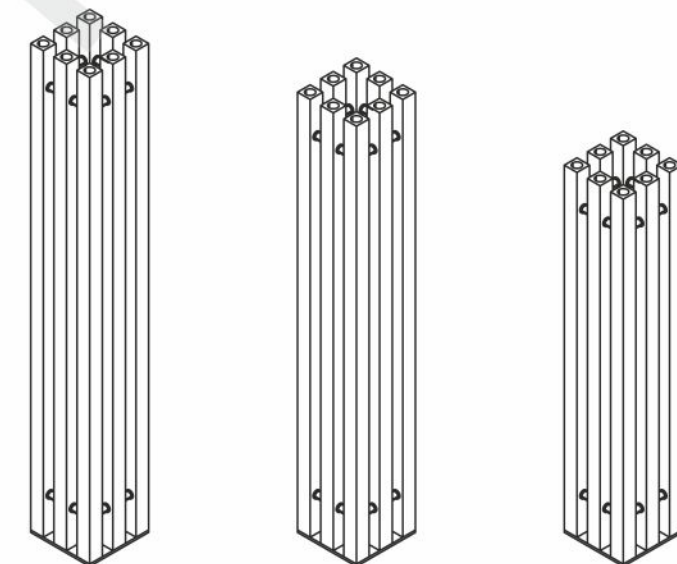
Other-worldly appeal. This bold radiator stands tall with its narrow square columns and smooth satin finish. They'll be talking about this innovative design across the galaxy and beyond.



PILLAR

FS MOUNT POSITION O C OPEN/CLOSED SYSTEM 10 WORKING PRESSURE 120°C WORKING TEMP. SS MATERIAL 5 YEARS WARRANTY

Product Name	Height (mm)	Length (mm)	Depth (mm)	C/C OF Pipes (mm)	Pipes or Sections	Heat Output (BTU/w) ΔT50		Finish S:BrushedMatt P:Polished
P116T15	1500	280	280	110/220	16	5053	1480	S/P
P116T18	1800	280	280	110/220	16	5614	1645	S/P
P116T20	2000	280	280	110/220	16	6737	1973	S/P



MAXIMUM DESIGN VARIETY

Just one quick glance through this collection of luxurious heated sculptures from RADIACO is enough to demonstrate how eclectic the range of designs, sizes and influences is.

Our top class team of designers have been inspired by so many different themes and ideas that it would be impossible to list them all on just one page. Influences from all Design themes, inspirations from nature and different arts caused to create maximum design variety with more than 125 models divided in to 8 classes.

There really is something to suit everyone's taste and style. Which is your favorite design?

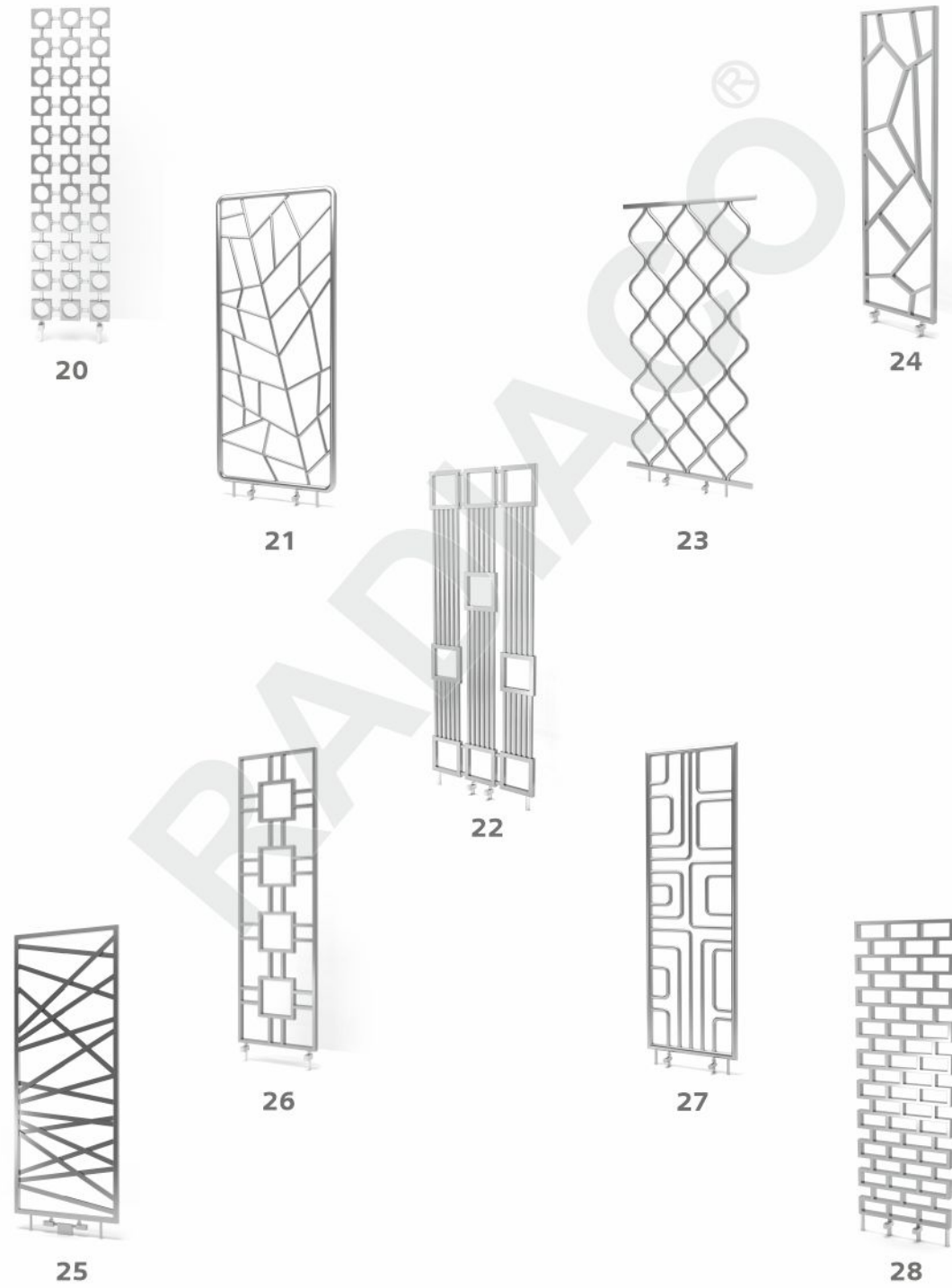
Partition

PARTITION



RIDDLE	20
WEB	21
NARCISS	22
ANGEL	23
ZODIAC	24
TOMA	25
ORKID	26
ODESA	27
BRICK SHAPE	28

RADIACO®



RADIACO®

RIDDLE

V H MOUNT POSITION
 O C OPEN/CLOSED SYSTEM
 8 WORKING PRESSURE
 120°C WORKING TEMP.
 SS MATERIAL
 5 YEARS WARRANTY

Product Name	Height (mm)	Length (mm)	Depth (mm)	C/C OF Pipes (mm)	Pipes or Sections	Heat Output (BTU/w) ΔT50	Finish C: Color
RI20P14	1450	400	50	***	60	4423	C
RI20P19	1900	400	50	***	78	5750	C

Retro revolution. This funky, powerful radiator stands from floor to ceiling, doubling up as the ideal room divider. Also available as a wall-mounted radiator.





WEB

WEB

V H MOUNT POSITION
 O C OPEN/CLOSED SYSTEM
 8 WORKING PRESSURE
 120°C WORKING TEMP.
 SS MATERIAL
 5 YEARS WARRANTY

Product Name	Height (mm)	Length (mm)	Depth (mm)	C/C OF Pipes (mm)	Pipes or Sections	Heat Output (BTU/w) ΔT50	Finish S:BrushedMatt P:Polished
WE21P18	1800	800	50	50 - 620	33	5250 1530	P

The silken structure which a spider builds" is a perfect definition of this partition radiator with fine tubular heating bars designed same as web.



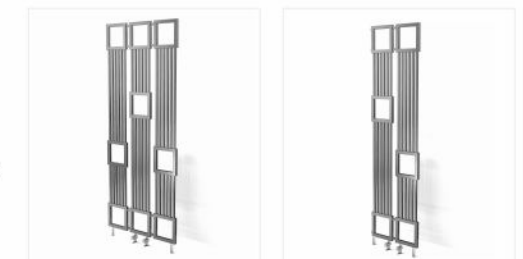
NARCISS

NARCISS

V H MOUNT POSITION
 O C OPEN/CLOSED SYSTEM
 8 WORKING PRESSURE
 120°C WORKING TEMP.
 SS MATERIAL
 5 YEARS WARRANTY

Product Name	Height (mm)	Length (mm)	Depth (mm)	C/C OF Pipes (mm)	Pipes or Sections	Heat Output (BTU/w) ΔT50	Finish S:BrushedMatt P:Polished
NA22P15A	1500	540	30	***	48	4312 1143	S
NA22P20A	2000	540	30	***	48	5750 1525	S
NA22P15B	1500	830	30	***	72	6787 2475	S
NA22P20B	2000	830	30	***	72	9050 3300	S

In Greek mythology, Narciss was a legendary character that was known for his stunning beauty. This elegant substantial partition radiator separates the use of places along with providing heat and grace.





ANGEL

ANGEL

V H MOUNT POSITION
 O C OPEN/CLOSED SYSTEM
 8 WORKING PRESSURE
 120°C WORKING TEMP.
 SS MATERIAL
 5 YEARS WARRANTY

Product Name	Height (mm)	Length (mm)	Depth (mm)	C/C OF Pipes (mm)	Towel Gaps	Heat Output (BTU/w) ΔT50	Finish S:BrushedMatt P:Polished
AN21P19	1920	950	30	50 - 900	23	4312 1143	P

An attractive partition radiator build of wave form heating bars. You can hear your guests admiring the beauty and shine of this masterpiece.



ZODIAC

ZODIAC

E ELECTRICAL
 V H MOUNT POSITION
 O C OPEN/CLOSED SYSTEM
 8 WORKING PRESSURE
 120°C WORKING TEMP.
 SS MATERIAL
 5 YEARS WARRANTY

Product Name	Height (mm)	Length (mm)	Depth (mm)	C/C OF Pipes (mm)	Pipes or Sections	Heat Output (BTU/w) ΔT50	Finish S:BrushedMatt P:Polished
ZO24P18	1800	540	40	50 - 500	18	3780 1100	S

The zodiac is an area of the sky. The paths of the moon and visible planets are also within the belt of the zodiac. This powerful partition radiator divided into some irregular different shapes reminiscent of Zodiac. In western Astrology zodiac is divided into twelve signs.





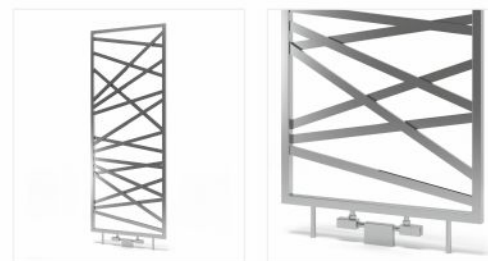
TOMA

TOMA

- ELECTRICAL
- MOUNT POSITION
- OPEN/CLOSED SYSTEM
- WORKING PRESSURE
- WORKING TEMP.
- MATERIAL
- WARRANTY

Product Name	Height (mm)	Length (mm)	Depth (mm)	C/C OF Pipes (mm)	Pipes or Sections	Heat Output (BTU/w) ΔT50		Finish S:BrushedMatt P:Polished
TO20P18	1800	700	30	50/640	18	4312	1143	S

Who says everything should be ordered and corresponding? This contemporary urban style partition radiator break the rules. In which heating profiles move free and provide heat.



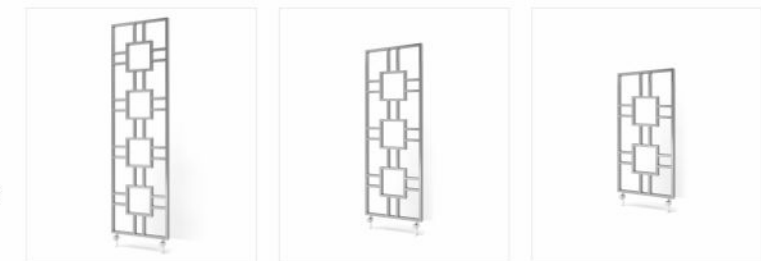
ORKID

ORKID

- ELECTRICAL
- MOUNT POSITION
- OPEN/CLOSED SYSTEM
- WORKING PRESSURE
- WORKING TEMP.
- MATERIAL
- WARRANTY

Product Name	Height (mm)	Length (mm)	Depth (mm)	C/C OF Pipes (mm)	Pipes or Sections	Heat Output (BTU/w) ΔT50		Finish S:BrushedMatt P:Polished
OR26P10	1000	540	40	50 - 500	22	1930	566	S
OR26P14	1400	540	40	50 - 500	32	2811	824	S
OR26P18	1800	540	40	50 - 500	42	3474	1019	S

Strong, stylish cubed stainless steel lines of this partition radiator. Show an abstract design of orchids with its finesse parts.



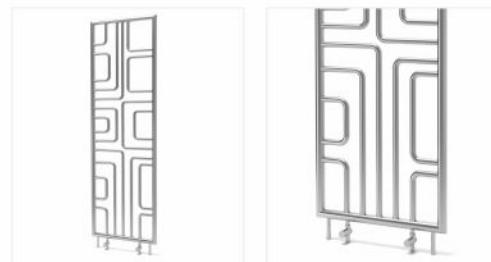


ODESA

ODESA V H O C 8 120°C SS 5 YEARS
 MOUNT POSITION OPEN/CLOSED SYSTEM WORKING PRESSURE WORKING TEMP. MATERIAL WARRANTY

Product Name	Height (mm)	Length (mm)	Depth (mm)	C/C OF Pipes (mm)	Pipes or Sections	Heat Output (BTU/w) ΔT50	Finish S:BrushedMatt P:Polished
OD20P18	1800	600	40	50/540	17	3800 1111	P

Designed to be the most special, stylish decorative radiator ever seen. Full of strong heating bars that superbly crafted.

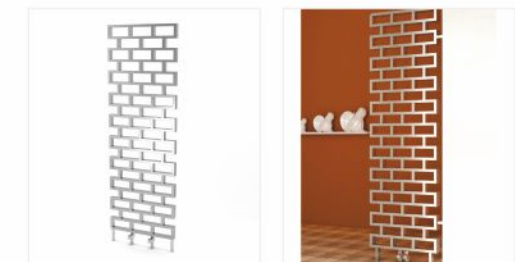


BRICK SHAPE

BRICK SHAPE V H O C 8 120°C SS 5 YEARS
 MOUNT POSITION OPEN/CLOSED SYSTEM WORKING PRESSURE WORKING TEMP. MATERIAL WARRANTY

Product Name	Height (mm)	Length (mm)	Depth (mm)	C/C OF Pipes (mm)	Pipes or Sections	Heat Output (BTU/w) ΔT50	Finish C: Color
BSH28P17	1730	540	40	50 - 500	48	4312 1143	C

Attractive and figurative brick wall that shows any environmental elements behind but at the same time, can divides your place for different usage.



EXCLUSIVE

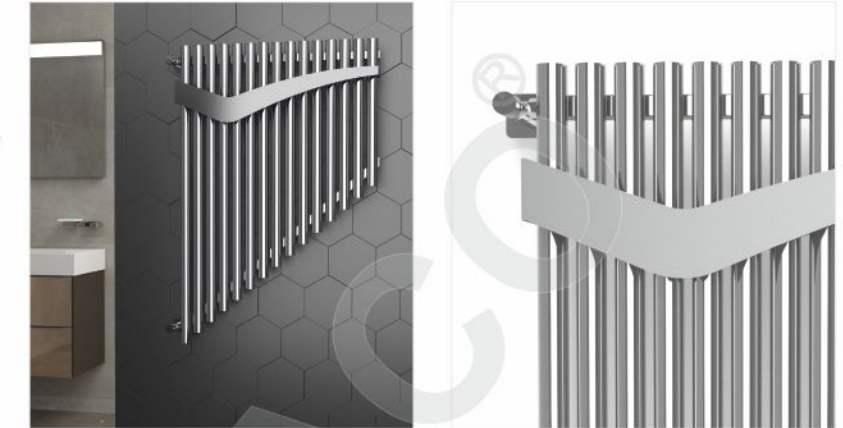


PAN FLUTE	32	ARCADE	66	DELPHINE	100	CRAFT	132	PALM	166
HIVA	34	BETA	68	LEAN	102	MOTION	134	FALLING	168
VESPIARY	36	CAVALI	70	OLYMPIA	104	OVAL	136	ELEGANT	170
TAURUS	38	BLANCO	72	SPRINGS	106	BINARY	138	WATERFALL	172
CLINKER	40	ARC	74	CLASSIC	107	ROUND Z-TYPE	140	MOUNTAIN	174
HOLDER	42	ARIES	76	HEROD	108	FAIRY	142	HONOUR	176
SQUARE	44	ELENA	78	ATLAS	110	DAMA	144	VIRGO	178
ACCORDION	46	ELI	80	IRIS	112	VITO	146	RIVER	180
ROSE	48	TINA	82	E-TYPE	114	PHOENIX	148	CHARM	182
TIE	50	SNOW FLAKE	84	F-TYPE	116	PRIME	150	PATRIS	184
HANGER	52	G - TYPE	86	GAP	118	AMATIS	152	SHOWER	186
ROYAL	54	ROUND SWIFT	88	FLAG	120	STONE	154	CUBE LEO	188
MAZE	56	SWIFT	90	PLUS	122	VENUS	156	LEO	190
RUBIK	58	RING	92	Z-TYPE	124	HARMONICA	158	DELTA	192
VIOLET	60	BUBBLE	94	FLARE	126	BAMBOO	160	TEAR	194
MARBLE	62	LILY	96	BRICK	128	UNIQUE	162	ARA	196
MITO	64	MIRA	98	DIAMOND	130	HERA	164	VIGOUR	198



PAN FLUTE

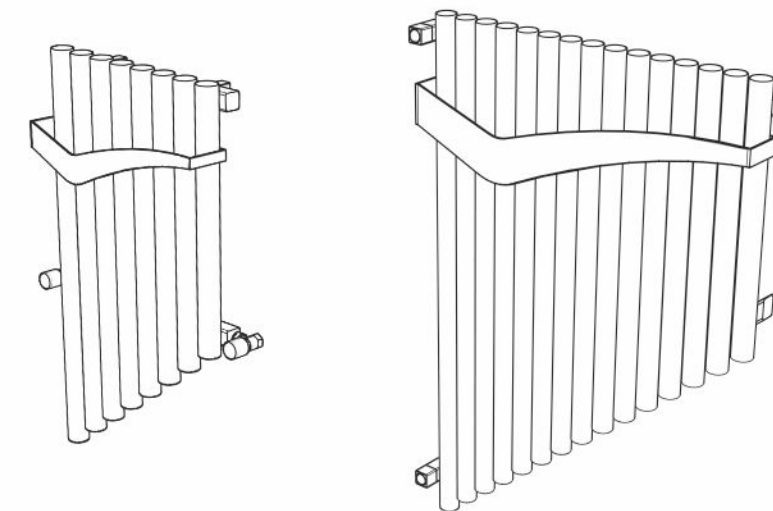
Once seen, never forgotten. Inspired from a kind of wind instrument, named after pan, the Greek god of nature and shepherds often depicted with such an instrument.



PAN FLUTE

E ELECTRICAL
 H MOUNT POSITION
 O C OPEN/CLOSED SYSTEM
 8 WORKING PRESSURE
 120°C WORKING TEMP.
 10 YEARS WARRANTY

Product Name	Height (mm)	Length (mm)	Depth (mm)	C/C OF Pipes (mm)	Towel Gaps	Pipes or Sections	Heat Output (BTU/w) ΔT50		Finish S:BrushedMatt P:Polished
PF32E07	760	420	70	500	1	8	1450	425	S/P
PF32E10	1060	720	70	360/960	1	15	2900	850	S/P





HIVA

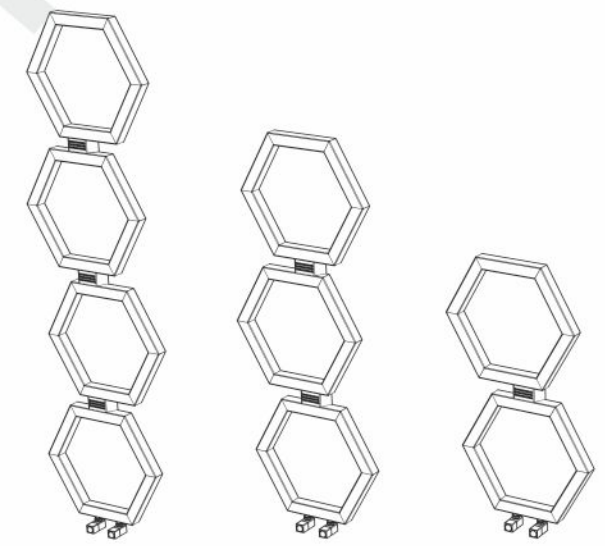
Hiva means hope and ambition. The hopes and wills that you see them every day grow up step by step through the time in front of your eyes.



HIVA

V MOUNT POSITION
 O C OPEN/CLOSED SYSTEM
 10 WORKING PRESSURE
 120°C WORKING TEMP.
 10 YEARS WARRANTY

Product Name	Height (mm)	Length (mm)	Depth (mm)	C/C OF Pipes (mm)	Towel Gaps	Pipes or Sections	Heat Output (BTU/w) ΔT50		Finish S:BrushedMatt P:Polished
HI34E09	920	550	40	50 - 200 / 500	2	12	1160	340	S/P
HI34E14	1400	550	40	50 - 200 / 500	3	18	1740	510	S/P
HI34E18	1880	550	40	50 - 200 / 500	4	24	2320	680	S/P





VESPIARY

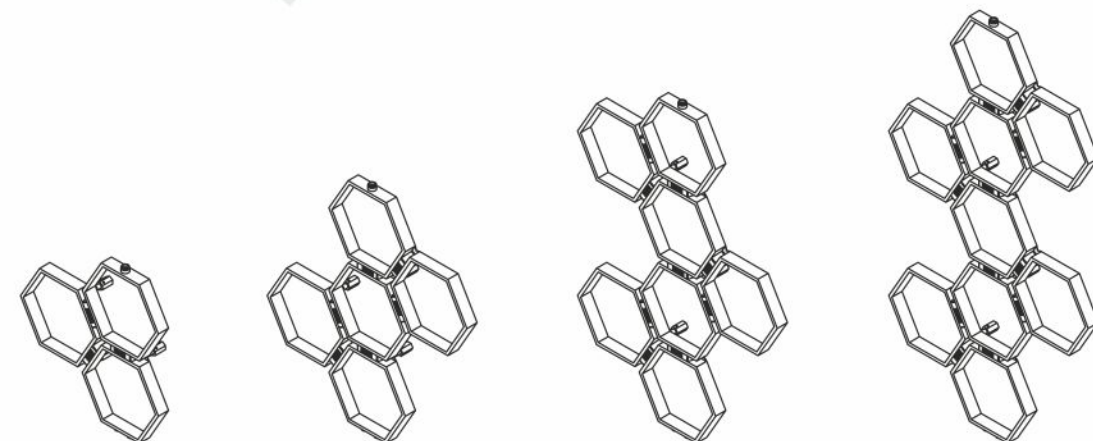
Create a buzz. This hexagonal design evokes a cheerful, fun-loving mood, bringing the wonderful world of nature indoors. Add customized glass or stone inserts for a truly organic feel.



VESPIARY

V MOUNT POSITION
 O C OPEN/CLOSED SYSTEM
 10 WORKING PRESSURE
 120°C WORKING TEMP.
 10 YEARS WARRANTY

Product Name	Height (mm)	Length (mm)	Depth (mm)	C/C OF Pipes (mm)	Towel Gaps	Pipes or Sections	Heat Output (BTU/w) ΔT50		Finish S:BrushedMatt P:Polished
VE36E06	640	640	40	50 - 120 / 500	3	18	666	195	S
VE36E10	980	940	40	50 - 120 / 500	5	30	1110	325	S
VE36E13	1320	940	40	50 - 120 / 500	7	42	1554	455	S
VE36E16	1660	940	40	50 - 120 / 500	9	54	1998	585	S



Taurus

TAURUS

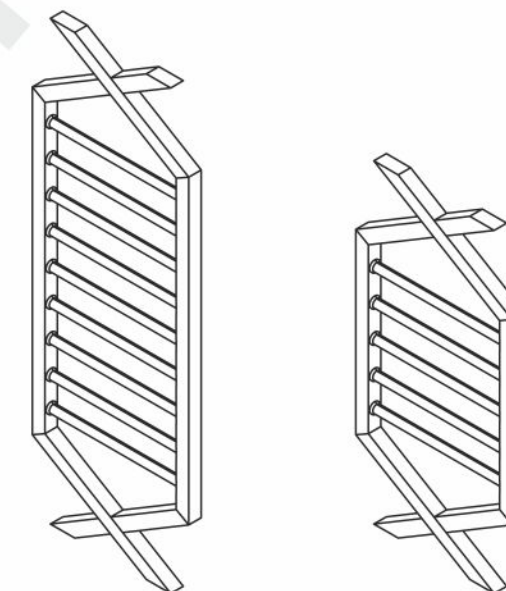
Taurus is one of the oldest constellation. Taurus means bull and this asterism is symbol of power and fertility.



TAURUS

V MOUNT POSITION
 O C OPEN/CLOSED SYSTEM
 10 WORKING PRESSURE
 120°C WORKING TEMP.
 20 YEARS WARRANTY

Product Name	Height (mm)	Length (mm)	Depth (mm)	C/C OF Pipes (mm)	Towel Gaps	Pipes or Sections	Heat Output (BTU/w) ΔT50		Finish
									S:BrushedMatt P:Polished
TA38E10	1000	500	40	300 / 500	5	11	1650	485	SP
TA38E14	1400	500	40	300 / 500	9	15	2320	680	SP



Clinker

CLINKER

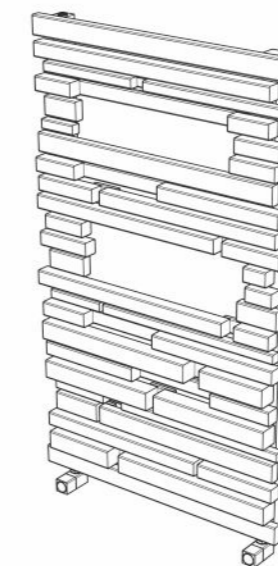
Clinker means brick blocks, They are arranged to build an unique brick-wall with open spaces to hang towels on a brick facade wall.



CLINKER

E ELECTRICAL
 V MOUNT POSITION
 O C OPEN/CLOSED SYSTEM
 6 WORKING PRESSURE
 120°C WORKING TEMP.
 10 YEARS WARRANTY

Product Name	Height (mm)	Length (mm)	Depth (mm)	C/C OF Pipes (mm)	Towel Gaps	Pipes or Sections	Heat Output (BTU/w) ΔT50		Finish S:BrushedMatt P:Polished
CL40E08	800	570	70	500	2	24	1710	501	S
CL40E10	1000	570	70	500	2	32	2382	698	S
CL40E14	1400	570	70	500	3	42	3333	977	S

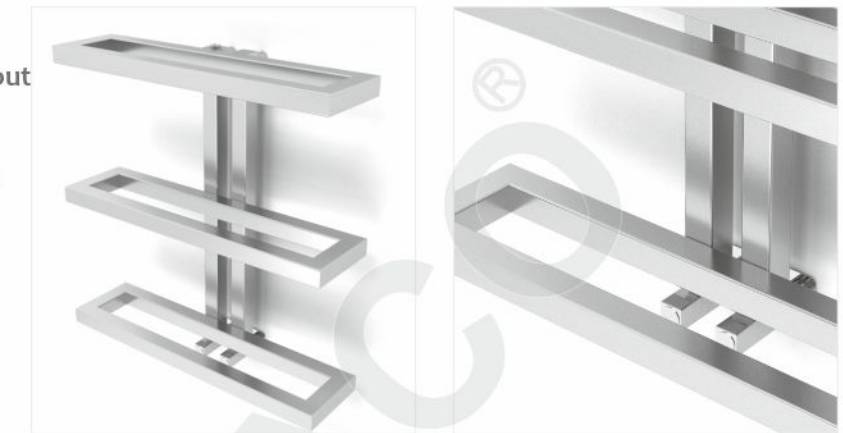




Holder

HOLDER

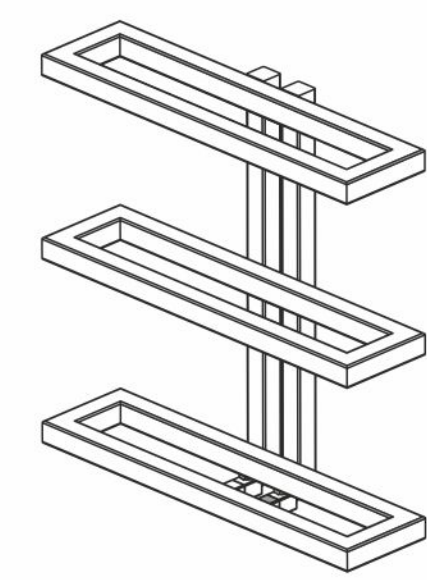
Boutique chic. This elegant design offers practicality without sacrificing style. Add up to three towel rungs to ensure it meets your requirements.

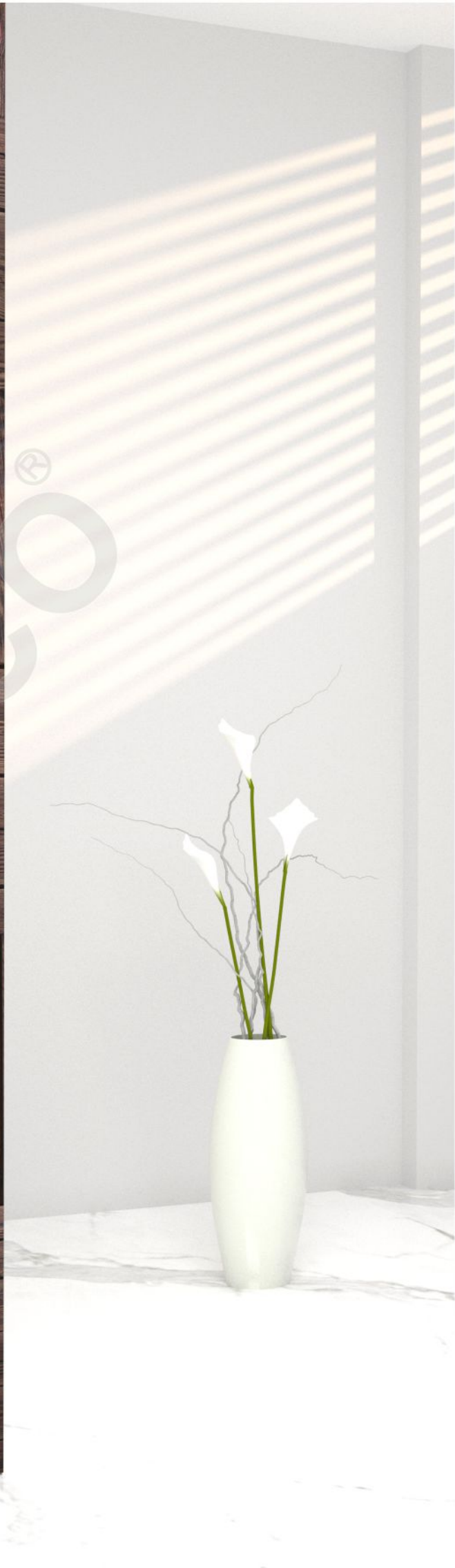


HOLDER

E ELECTRICAL
 V MOUNT POSITION
 O C OPEN/CLOSED SYSTEM
 8 WORKING PRESSURE
 120°C WORKING TEMP.
 20 YEARS WARRANTY

Product Name	Height (mm)	Length (mm)	Depth (mm)	C/C OF Pipes (mm)	Towel Gaps	Pipes or Sections	Heat Output (BTU/w) ΔT50	Finish S:BrushedMatt P:Polished
HO42E07	700	700	220	50 - 650	3	17	2169 636	S/P





SQUARE

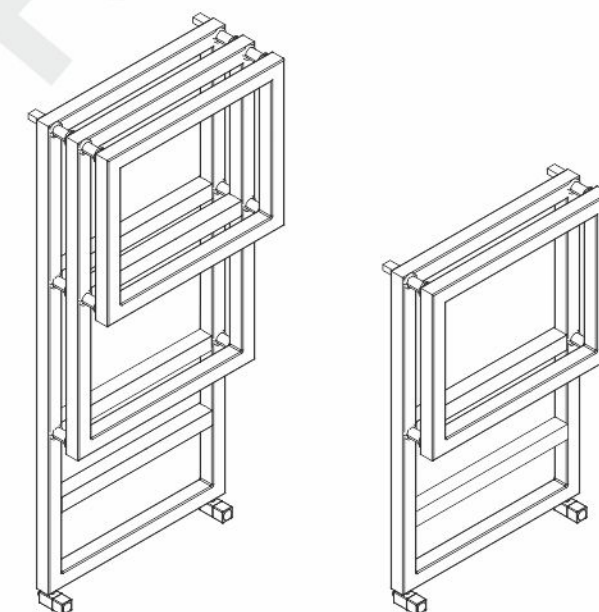
A new take on ladder-style heating. Airing shelf offers maximum convenience, while the bold design ensures a strong visual impact. Best of both worlds.



SQUARE

E ELECTRICAL
 V MOUNT POSITION
 O C OPEN/CLOSED SYSTEM
 8 WORKING PRESSURE
 120°C WORKING TEMP.
 20 YEARS WARRANTY

Product Name	Height (mm)	Length (mm)	Depth (mm)	C/C OF Pipes (mm)	Towel Gaps	Pipes or Sections	Heat Output (BTU/w) ΔT50		Finish S:BrushedMatt P:Polished
SQ44E08	840	540	130	50 - 500	2	10	1705	500	S/P
SQ44E12	1200	540	220	50 - 500	3	16	2203	646	S/P





Accordion

ACCORDION

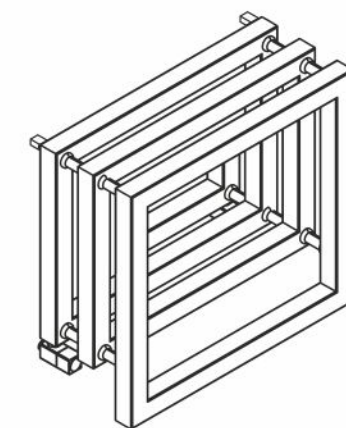
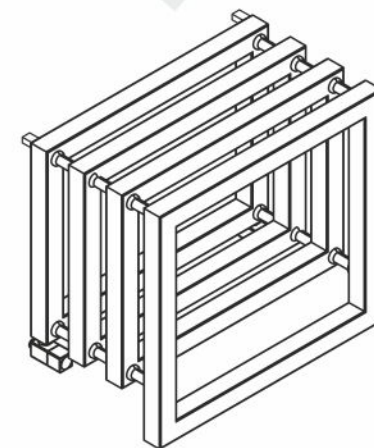
More than meets the eye. Not only this Fabulous, strong design can heat your bathroom, it is also a highly Practical towel rail and airing shelf.

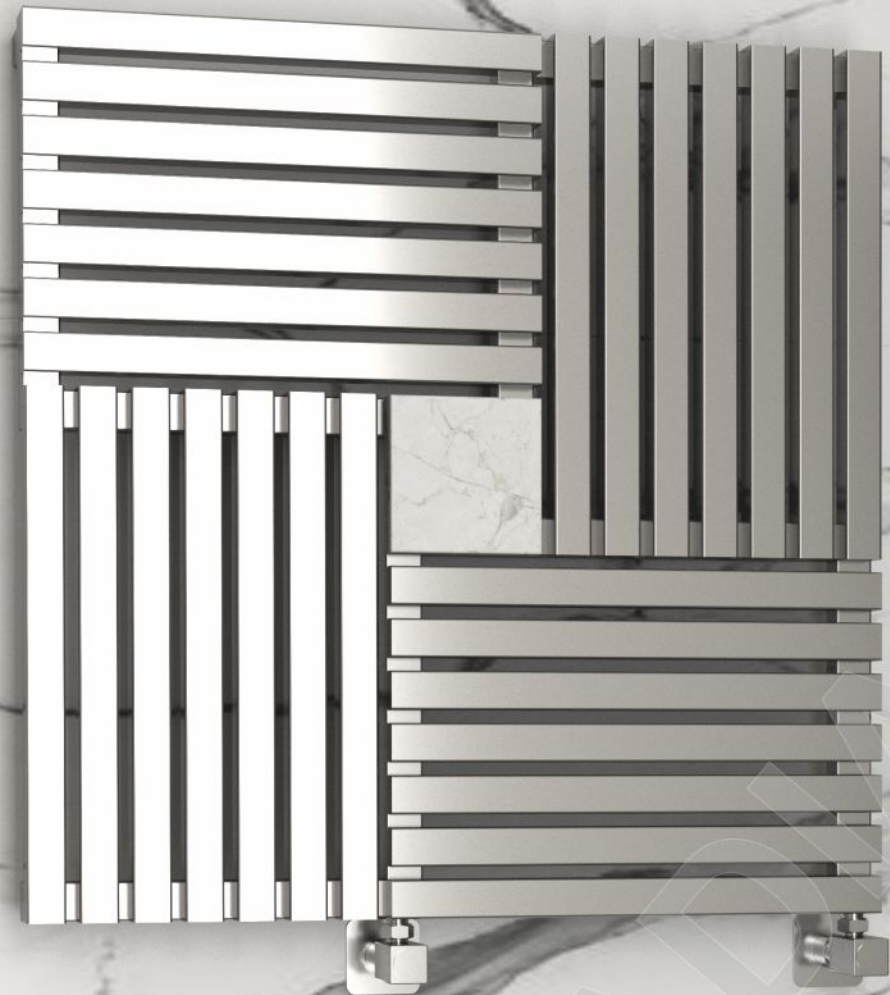


ACCORDION

E ELECTRICAL
 V MOUNT POSITION
 O C OPEN/CLOSED SYSTEM
 8 WORKING PRESSURE
 120°C WORKING TEMP.
 20 YEARS WARRANTY

Product Name	Height (mm)	Length (mm)	Depth (mm)	C/C OF Pipes (mm)	Towel Gaps	Pipes or Sections	Heat Output (BTU/w) ΔT50		Finish S:BrushedMatt P:Polished
AC46E03	480	540	190	50 - 500	2	3	1751	513	S/P
AC46E04	480	540	250	50 - 500	2	4	2250	659	S/P





ROSE

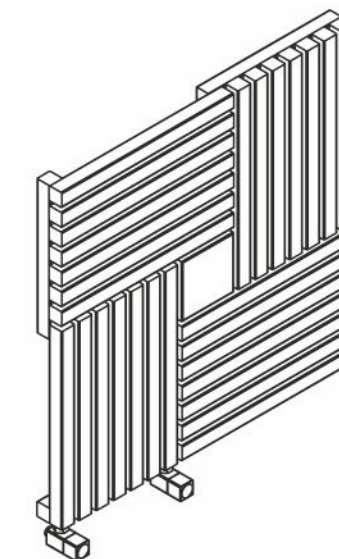
Modern design of roses with delicate but durable petals made of stainless steel, immortal beauty in front of your eyes.



ROSE

E ELECTRICAL
 V H MOUNT POSITION
 O C OPEN/CLOSED SYSTEM
 6 WORKING PRESSURE
 120°C WORKING TEMP.
 10 YEARS WARRANTY

Product Name	Height (mm)	Length (mm)	Depth (mm)	C/C OF Pipes (mm)	Towel Gaps	Pipes or Sections	Heat Output (BTU/w) ΔT50	Finish S:BrushedMatt P:Polished
RO48E07	680	680	40	280 - 620	-	28	2382 698	S/P



Tie
TIE

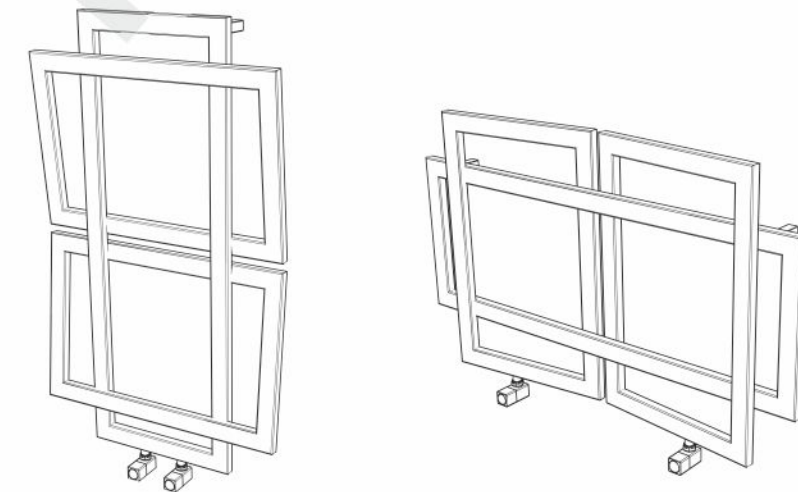
Focus on innovation and creativity, enjoyable to find how all sides of this contemporary towel rail are heated.

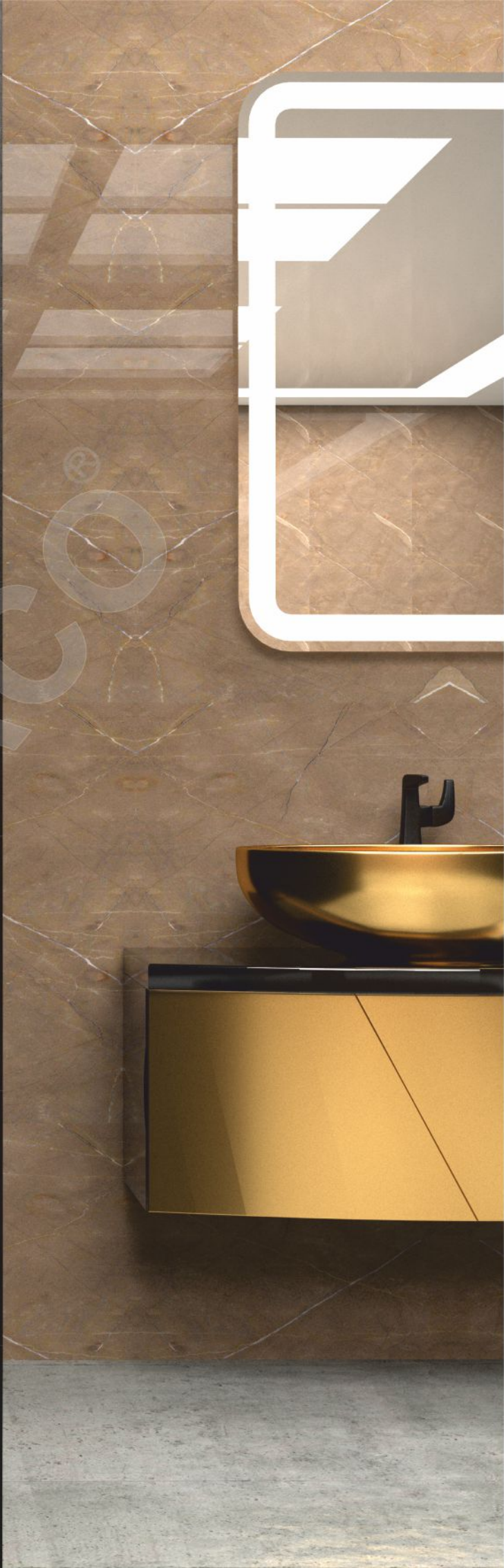


TIE

V H MOUNT POSITION
 O C OPEN/CLOSED SYSTEM
 8 WORKING PRESSURE
 120°C WORKING TEMP.
 10 YEARS WARRANTY

Product Name	Height (mm)	Length (mm)	Depth (mm)	C/C OF Pipes (mm)	Towel Gaps	Pipes or Sections	Heat Output (BTU/w) ΔT50		Finish S:BrushedMatt P:Polished
TI50E06	600	1000	70	160 - 700	8	12	1020	299	S/P





HANGER

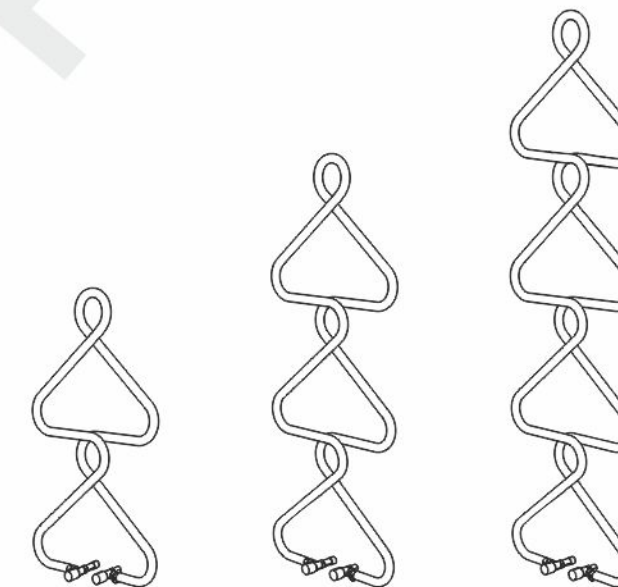
Clean and impressive look of super engineered warm hangers. Perfect, hanging and drying towels and clothes for classic lovers.



HANGER

V MOUNT POSITION
 O C OPEN/CLOSED SYSTEM
 8 WORKING PRESSURE
 120°C WORKING TEMP.
 10 YEARS WARRANTY

Product Name	Height (mm)	Length (mm)	Depth (mm)	C/C OF Pipes (mm)	Towel Gaps	Pipes or Sections	Heat Output (BTU/w) ΔT50		Finish S:BrushedMatt P:Polished
HA52E08	800	460	50	50 - 150 / 500	2	2	566	166	P
HA52E12	1200	460	50	50 - 150 / 500	3	3	760	221	P
HA52E12	1600	460	50	50 - 150 / 500	4	4	1133	332	P





Royal

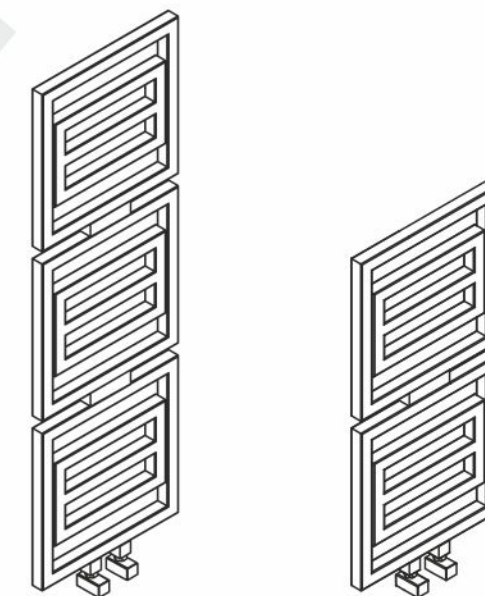
It's all about the detail in this exquisitely finished towel rail. And you don't have to be royalty to appreciate the warm, fluffy towels it produces at your merest command.



ROYAL

V MOUNT POSITION
 O C OPEN/CLOSED SYSTEM
 8 WORKING PRESSURE
 120°C WORKING TEMP.
 10 YEARS WARRANTY

Product Name	Height (mm)	Length (mm)	Depth (mm)	C/C OF Pipes (mm)	Towel Gaps	Pipes or Sections	Heat Output (BTU/w) ΔT50		Finish S:BrushedMatt P:Polished
RO54E08	800	380	30	60 - 340 / 500	2	18	1800	540	S
RO54E12	1200	380	30	60 - 340 / 500	3	27	2821	827	S





Maze

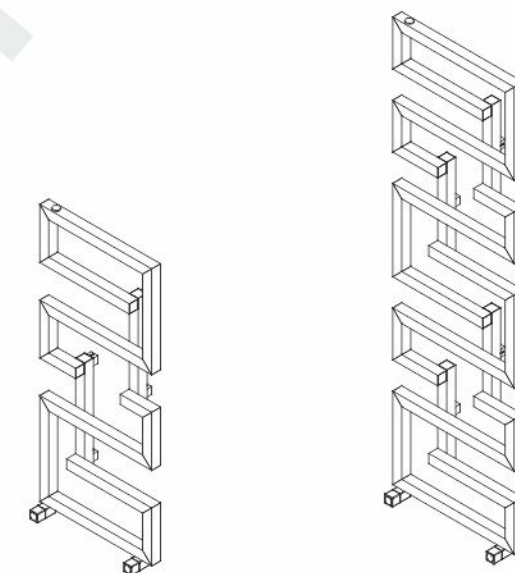
Maze takes the current trend for square profile stainless steel heating bars to a new dimension with its abstract, geometric pattern that complements the clean lines of contemporary interiors.



MAZE

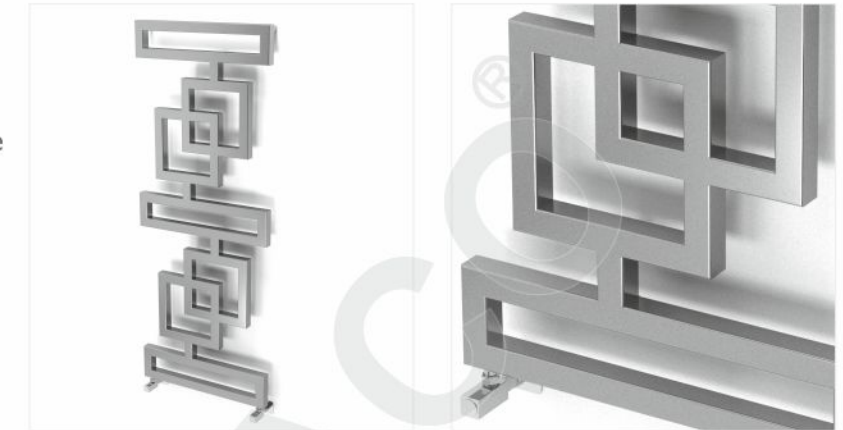
E ELECTRICAL
 V MOUNT POSITION
 O C OPEN/CLOSED SYSTEM
 8 WORKING PRESSURE
 120°C WORKING TEMP.
 20 YEARS WARRANTY

Product Name	Height (mm)	Length (mm)	Depth (mm)	C/C OF Pipes (mm)	Towel Gaps	Pipes or Sections	Heat Output (BTU/w)		Finish
							ΔT50	ΔT70	S:BrushedMatt P:Polished
MA56E11	1000	540	80	50 - 500	-	24	1069	313	S/P
MA56E18	1800	540	80	50 - 500	-	30	2114	619	S/P



RUBIK

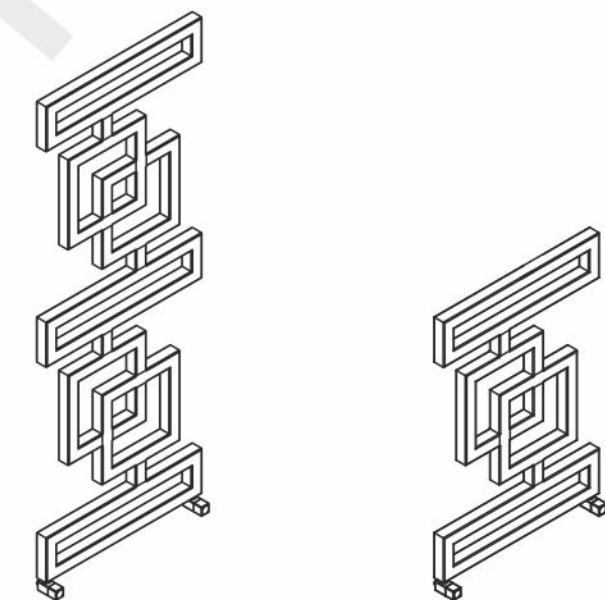
Designed for urbanization of surroundings. some complications like Rubik's cube that now is solved to provide heat and beauty.



RUBIK

V MOUNT POSITION
 O C OPEN/CLOSED SYSTEM
 10 WORKING PRESSURE
 120°C WORKING TEMP.
 20 YEARS WARRANTY

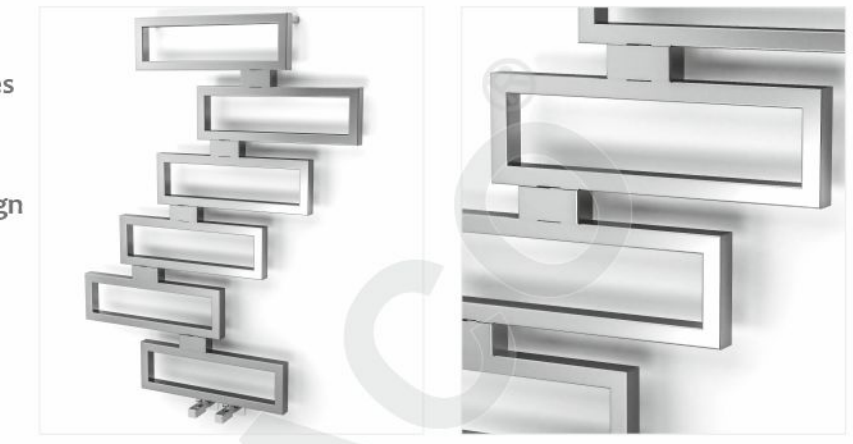
Product Name	Height (mm)	Length (mm)	Depth (mm)	C/C OF Pipes (mm)	Towel Gaps	Pipes or Sections	Heat Output (BTU/w) ΔT50		Finish S:BrushedMatt P:Polished
RU58E09	850	600	40	50 - 500	4	16	1550	454	S
RU58E16	1600	600	40	50 - 500	7	32	2300	674	S





VIOLET

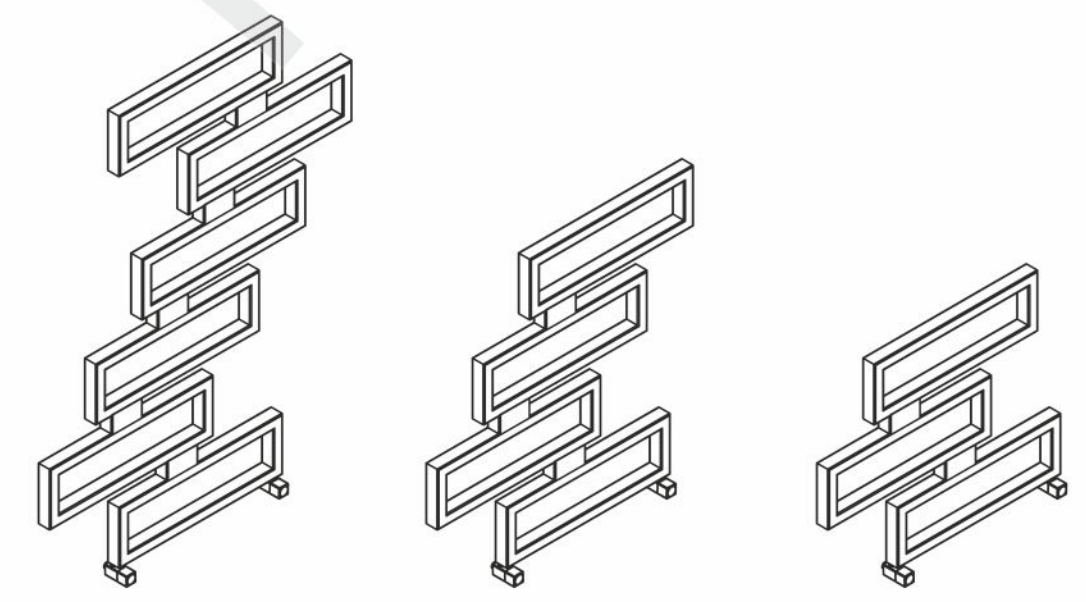
The shape of things to come. These sharp rectangular frames shout precision engineering, while the modern, stylish design provides more than enough space for your towels.



VIOLET

V MOUNT POSITION
 O C OPEN/CLOSED SYSTEM
 10 WORKING PRESSURE
 120°C WORKING TEMP.
 20 YEARS WARRANTY

Product Name	Height (mm)	Length (mm)	Depth (mm)	C/C OF Pipes (mm)	Towel Gaps	Pipes or Sections	Heat Output (BTU/w) ΔT50		Finish S:BrushedMatt P:Polished
VI60E06	610	830	30	50 - 500	3	12	1105	324	S/P
VI60E08	830	830	30	50 - 500	4	16	1510	443	S/P
VI60E13	1270	980	30	50 - 500	6	24	2211	648	S/P





MARBLE

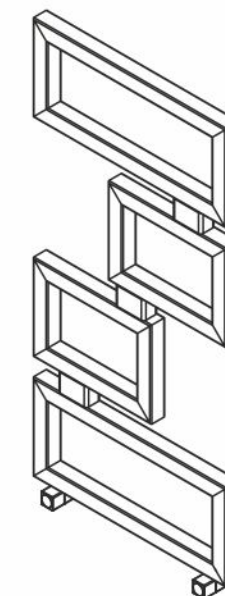
The most reliable rectangular heating bars. Designed to convey a sense of order without shouting about its efficiency.



MARBLE

V MOUNT POSITION
 O C OPEN/CLOSED SYSTEM
 10 WORKING PRESSURE
 120°C WORKING TEMP.
 20 YEARS WARRANTY

Product Name	Height (mm)	Length (mm)	Depth (mm)	C/C OF Pipes (mm)	Towel Gaps	Pipes or Sections	Heat Output (BTU/w) ΔT50		Finish S:BrushedMatt P:Polished
MA62E10	950	540	40	50 - 500	4	16	1150	337	S/P





Mito

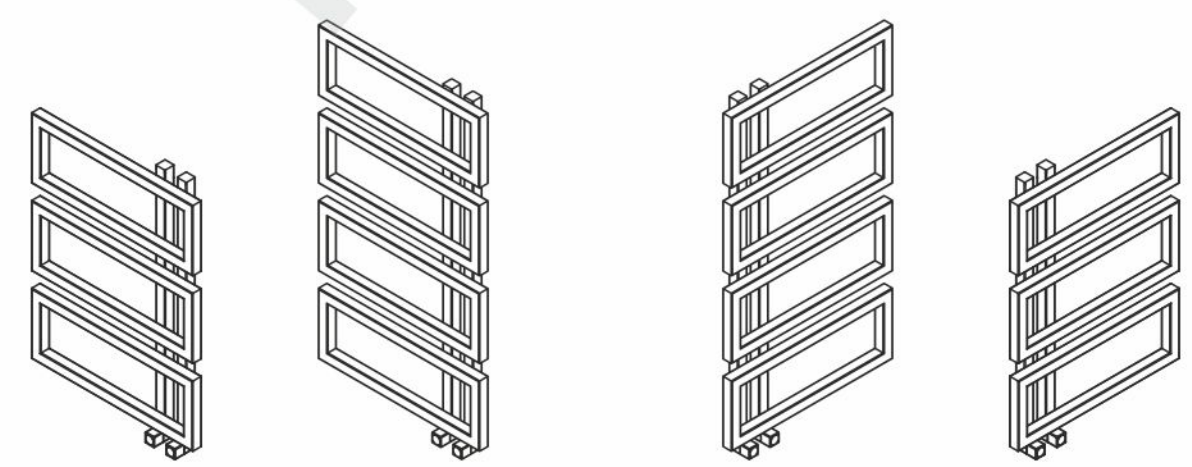
Strong rectangular heating bars lean against muscular pillars. what else we need to trust this efficient and powerful towel rail?



MITO

E ELECTRICAL
 V MOUNT POSITION
 O C OPEN/CLOSED SYSTEM
 10 WORKING PRESSURE
 120°C WORKING TEMP.
 10 YEARS WARRANTY

Product Name	Height (mm)	Length (mm)	Depth (mm)	C/C OF Pipes (mm)	Towel Gaps	Pipes or Sections	Heat Output (BTU/w) ΔT50		Finish S:BrushedMatt P:Polished
MI64E07-R	700	600	60	60 - 500	3	14	982	288	S/P
MI64E07-L	700	600	60	60 - 500	3	14	982	288	S/P
MI64E10-R	950	600	60	60 - 500	4	18	1310	384	S/P
MI64E10-L	950	600	60	60 - 500	4	18	1310	384	S/P



L: Left-handed

R: Right-handed



ARCADE

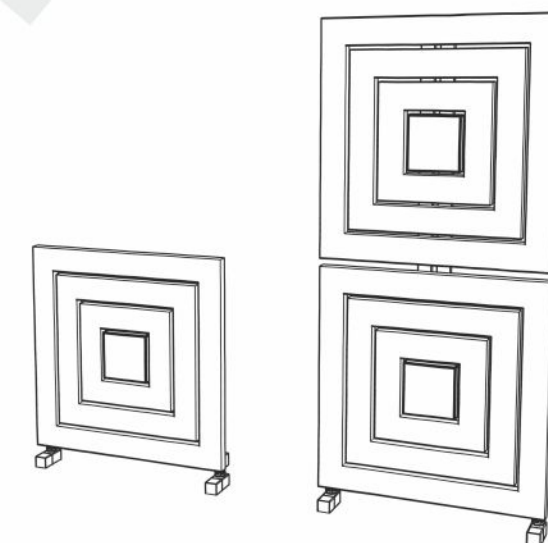
Stunning geometric form, reminiscent of childhood mazes. Hang the polished geometric shapes vertically or horizontally for a display that heats the room and excites the eye.



ARCADE

E ELECTRICAL
 V H MOUNT POSITION
 O C OPEN/CLOSED SYSTEM
 8 WORKING PRESSURE
 120°C WORKING TEMP.
 10 YEARS WARRANTY

Product Name	Height (mm)	Length (mm)	Depth (mm)	C/C OF Pipes (mm)	Towel Gaps	Pipes or Sections	Heat Output (BTU/w) ΔT50		Finish S:BrushedMatt P:Polished
AR66E05	540	540	30	50 - 500	1	4	2020	580	S
AR66E11	1100	540	30	50 - 500	2	8	4080	1185	S





Beta

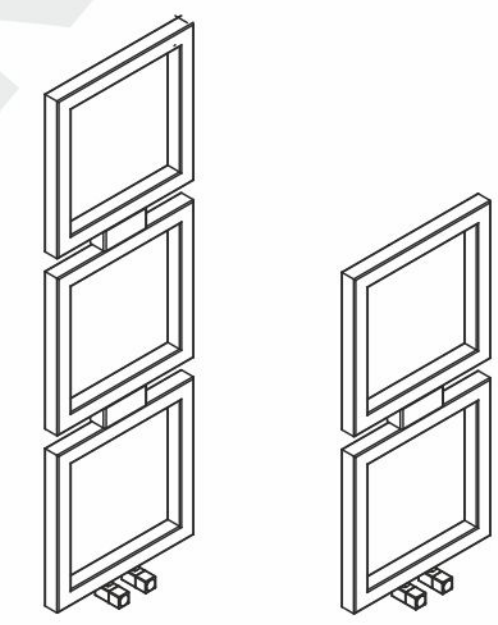
Beauty in simplicity. Square shape stainless steel heating bars are modern Places to keep your towels warm.



BETA

V H MOUNT POSITION
 O C OPEN/CLOSED SYSTEM
 10 WORKING PRESSURE
 120°C WORKING TEMP.
 10 YEARS WARRANTY

Product Name	Height (mm)	Length (mm)	Depth (mm)	C/C OF Pipes (mm)	Towel Gaps	Pipes or Sections	Heat Output (BTU/w) ΔT50		Finish S:BrushedMatt P:Polished
BE68E08	850	400	40	60 - 350 / 500	2	8	1555	456	S/P
BE68E13	1300	400	40	60 - 350 / 500	3	12	2310	677	S/P





CAVALI

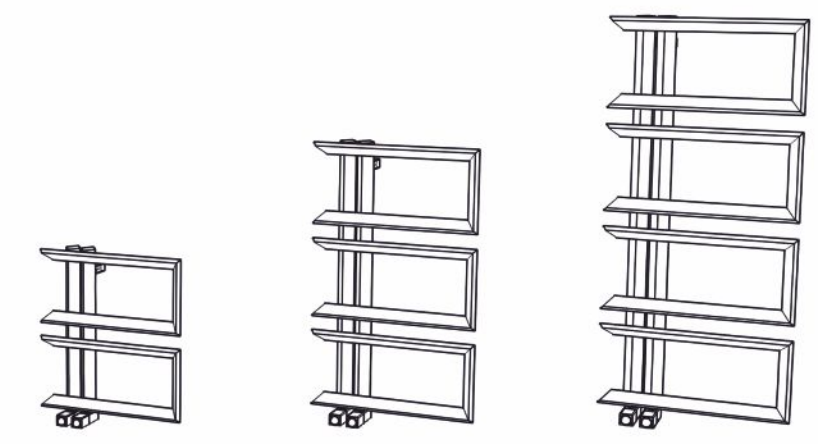
Italian design of this spectacular towel warmer is a magic that attracts your eyes till the end of this modern world with its special angles.



CAVALI

- ELECTRICAL
- MOUNT POSITION
- OPEN/CLOSED SYSTEM
- WORKING PRESSURE
- WORKING TEMP.
- WARRANTY

Product Name	Height (mm)	Length (mm)	Depth (mm)	C/C OF Pipes (mm)	Towel Gaps	Pipes or Sections	Heat Output (BTU/w) ΔT50		Finish C: Color
CA70E04	450	450	70	50 - 70	2	6	500	150	C
CA70E07	700	450	70	50 - 70	3	9	750	210	C
CA70E09	930	450	70	50 - 70	4	12	1009	256	C





Blanco

BLANCO

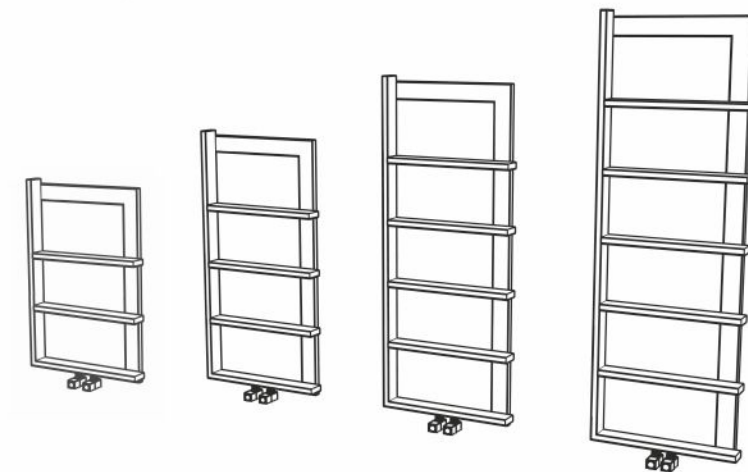
Art and creativity along with simplicity. Spectacular intersection of wide and narrow side of heating bars.



BLANCO

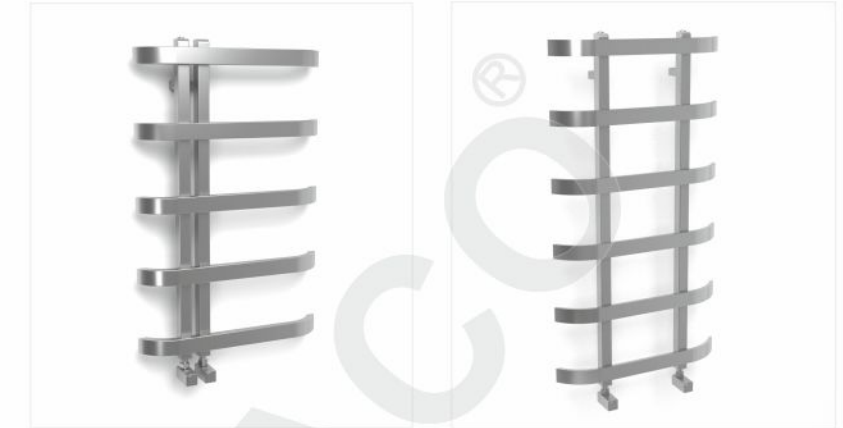
V MOUNT POSITION
 O C OPEN/CLOSED SYSTEM
 8 WORKING PRESSURE
 120°C WORKING TEMP.
 20 YEARS WARRANTY

Product Name	Height (mm)	Length (mm)	Depth (mm)	C/C OF Pipes (mm)	Towel Gaps	Pipes or Sections	Heat Output (BTU/w) ΔT50		Finish S:BrushedMatt P:Polished
BL72E07	760	500	80	50 - 400	3	4	550	161	S/SP
BL72E09	980	500	80	50 - 400	4	5	1110	325	S/SP
BL72E12	1200	500	80	50 - 400	5	6	1333	390	S/SP
BL72E14	1420	500	80	50 - 400	6	7	1554	455	S/SP



ARC

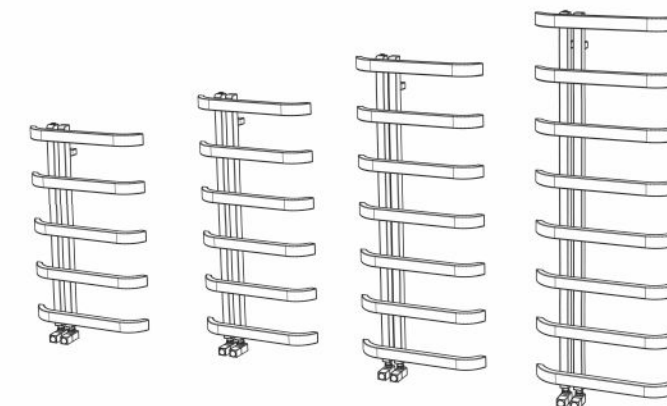
Elegant and strong are shaped heating bars lean against the wall. What else we need of a functional, beautiful towel dryer?



ARC

E ELECTRICAL
 V H MOUNT POSITION
 O C OPEN/CLOSED SYSTEM
 10 WORKING PRESSURE
 120°C WORKING TEMP.
 10 YEARS WARRANTY

Product Name	Height (mm)	Length (mm)	Depth (mm)	C/C OF Pipes (mm)	Towel Gaps	Pipes or Sections	Heat Output (BTU/w) ΔT50	Finish C: Color	
AR74E09	780	500	55	50 - 220	5	5	906	265	C
AR74E09	950	500	55	50 - 220	6	6	1080	317	C
AR74E11	1120	500	55	50 - 220	7	7	1268	370	C
AR74E13	1290	500	55	50 - 220	8	8	1450	425	C





ARIES

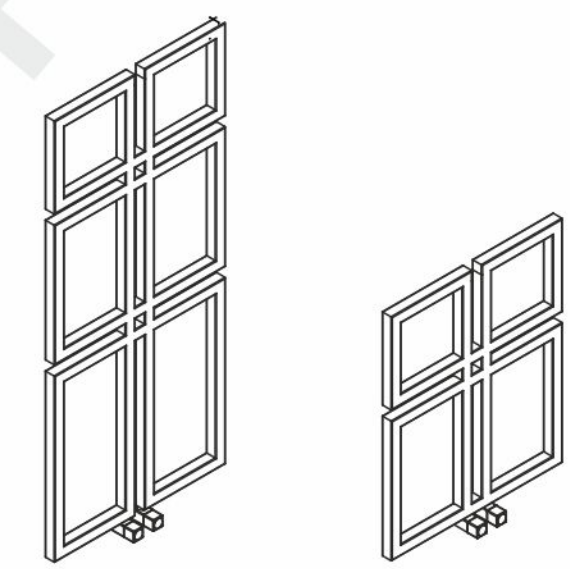
Inspired by Aries, which is the first sign of Zodiac, strong heat bars designed from big spaces to small ones like a ram's head.



ARIES

E ELECTRICAL
 V MOUNT POSITION
 O C OPEN/CLOSED SYSTEM
 10 WORKING PRESSURE
 120°C WORKING TEMP.
 10 YEARS WARRANTY

Product Name	Height (mm)	Length (mm)	Depth (mm)	C/C OF Pipes (mm)	Towel Gaps	Pipes or Sections	Heat Output (BTU/w) ΔT50		Finish S:BrushedMatt P:Polished
AR76E08	800	540	30	70 - 500	4	16	1950	571	S
AR76E12	1200	540	30	70 - 500	6	24	2402	704	S





ELENA

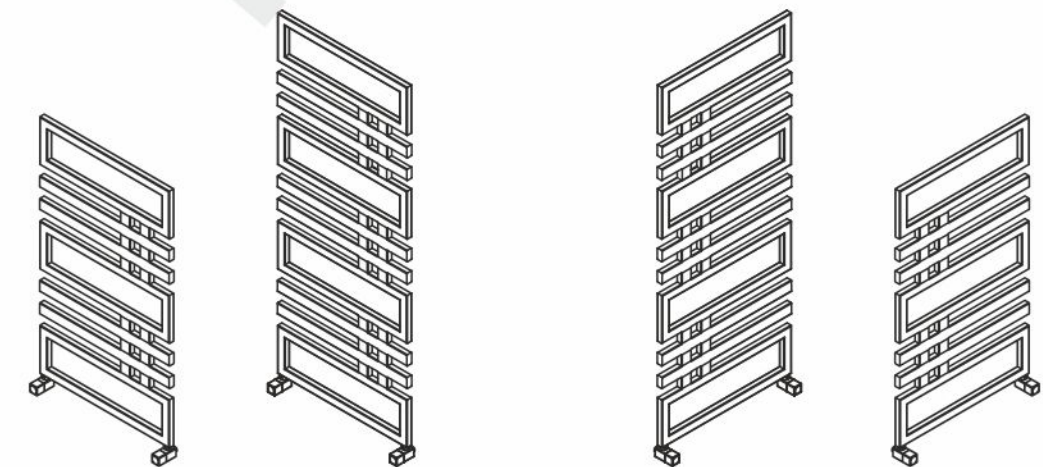
Strong, reliable design of a towel dryer. Be sure to have enough spaces for your towels to be warm and dry any time.



ELENA

V MOUNT POSITION
 O C OPEN/CLOSED SYSTEM
 8 WORKING PRESSURE
 120°C WORKING TEMP.
 10 YEARS WARRANTY

Product Name	Height (mm)	Length (mm)	Depth (mm)	C/C OF Pipes (mm)	Towel Gaps	Pipes or Sections	Heat Output (BTU/w) ΔT50		Finish S:BrushedMatt P:Polished
EL78E09-R	910	540	30	60 - 500	3	10	1580	463	S/SP
EL78E09-L	910	540	30	60 - 500	3	10	1580	463	S/SP
EL78E13-R	1330	540	30	60 - 500	4	14	2107	617	S/SP
EL78E13-L	1330	540	30	60 - 500	4	14	2107	617	S/SP



L: Left-handed

R: Right-handed



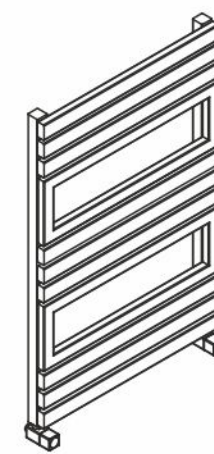
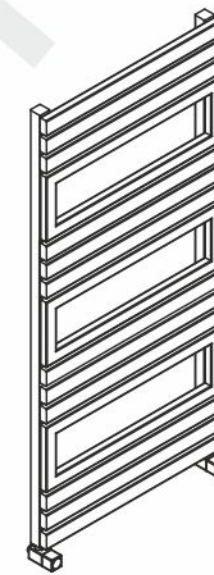
Reassuringly solid. This contemporary, square towel rail brings warmth where it's needed. An essential element of the kitchen or bathroom, it co-ordinates beautifully with its surroundings.



ELI

E ELECTRICAL
 V MOUNT POSITION
 O C OPEN/CLOSED SYSTEM
 8 WORKING PRESSURE
 120°C WORKING TEMP.
 10 YEARS WARRANTY

Product Name	Height (mm)	Length (mm)	Depth (mm)	C/C OF Pipes (mm)	Towel Gaps	Pipes or Sections	Heat Output (BTU/w) ΔT50		Finish S:BrushedMatt P:Polished
EL80E08	850	530	50	500	2	13	2255	661	S/P
EL80E12	1200	530	50	500	3	18	2910	853	S/P





TINA

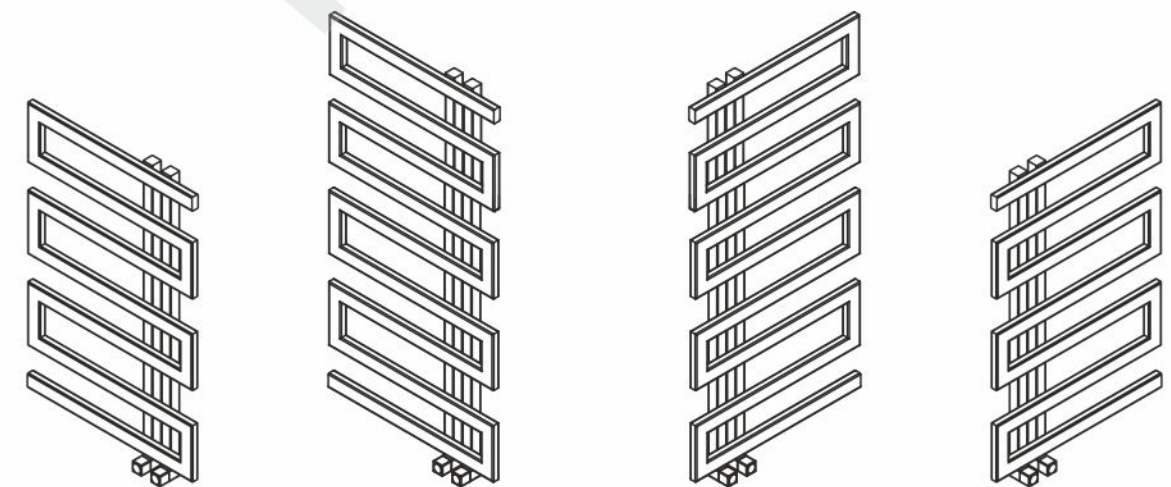
Elegantly engineered to home heating, complement of any room and any style. a perfect example of what we do best.



TINA

E ELECTRICAL
 V MOUNT POSITION
 O C OPEN/CLOSED SYSTEM
 8 WORKING PRESSURE
 120°C WORKING TEMP.
 10 YEARS WARRANTY

Product Name	Height (mm)	Length (mm)	Depth (mm)	C/C OF Pipes (mm)	Towel Gaps	Pipes or Sections	Heat Output (BTU/w) ΔT50		Finish S:BrushedMatt P:Polished
TI82E08-R	820	600	50	60 - 500	6	7	1126	330	S/P
TI82E08-L	820	600	50	60 - 500	6	7	1126	330	S/P
TI82E13-R	1340	600	50	60 - 500	9	10	1609	472	S/P
TI82E13-L	1340	600	50	60 - 500	9	10	1609	472	S/P



L: Left-handed

R: Right-handed



Snow Flake SNOW FLAKE

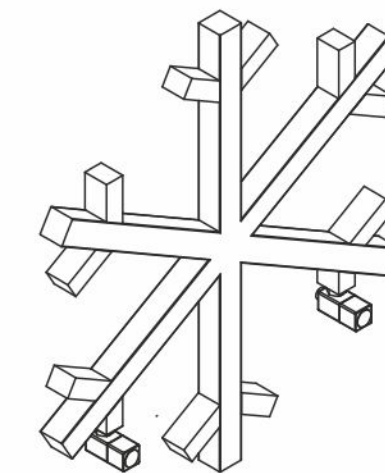
Bright snow flake that gives warmth but never melts. eye-catching accessory that performs special paradoxical concept.



SNOW FLAKE

V MOUNT POSITION O C OPEN/CLOSED SYSTEM 8 WORKING PRESSURE 120°C WORKING TEMP. 20 YEARS WARRANTY

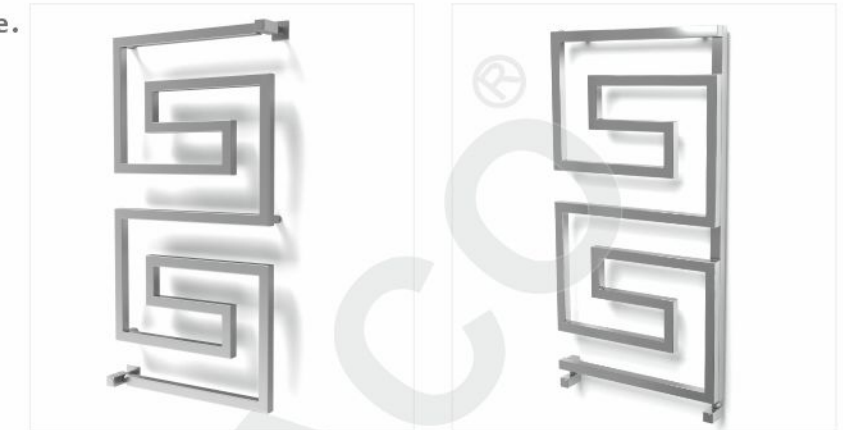
Product Name	Height (mm)	Length (mm)	Depth (mm)	C/C OF Pipes (mm)	Towel Gaps	Pipes or Sections	Heat Output (BTU/w) ΔT50		Finish S:BrushedMatt P:Polished
SF84E07	700	640	30	500	-	6	631	185	S





G-TYPE

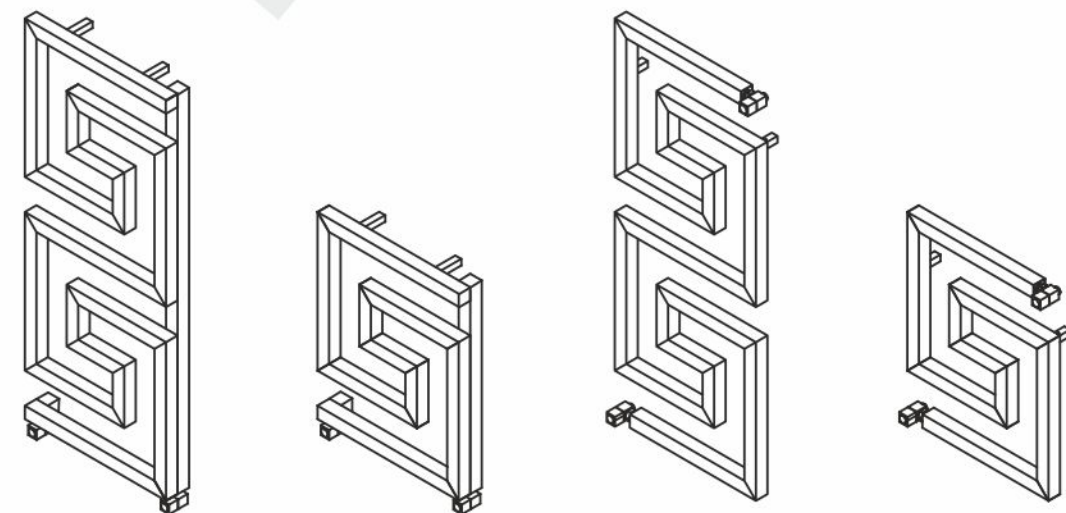
Bring your bathroom to life.
Heat your room in style
with the unique square
spiral of G-Type.



G-TYPE

V H MOUNT POSITION
 O C OPEN/CLOSED SYSTEM
 10 WORKING PRESSURE
 120°C WORKING TEMP.
 20 YEARS WARRANTY

Product Name	Height (mm)	Length (mm)	Depth (mm)	C/C OF Pipes (mm)	Towel Gaps	Pipes or Sections	Heat Output (BTU/w) ΔT50		Finish S:BrushedMatt P:Polished
GT98E05	530	530	30	500	1	5	631	185	S/P
GT98E10	1030	530	30	1000	2	9	1200	350	S/P



ROUND SWIFT

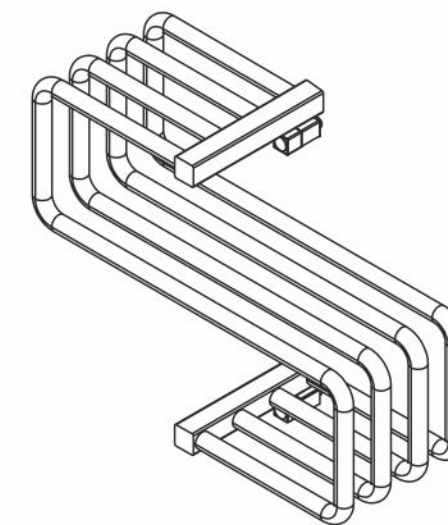
Three curved heating bars that mounted in parallel on the wall. Charming aring shelf that allows you hang your towels or arrange them beautifully.



ROUND SWIFT

V MOUNT POSITION
 O C OPEN/CLOSED SYSTEM
 10 WORKING PRESSURE
 120°C WORKING TEMP.
 10 YEARS WARRANTY

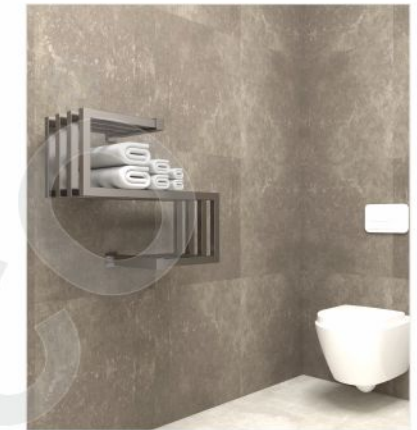
Product Name	Height (mm)	Length (mm)	Depth (mm)	C/C OF Pipes (mm)	Towel Gaps	Pipes or Sections	Heat Output (BTU/w) ΔT50		Finish S:BrushedMatt P:Polished
RS88E05	530	680	280	500	-	4	1020	229	P





SWIFT

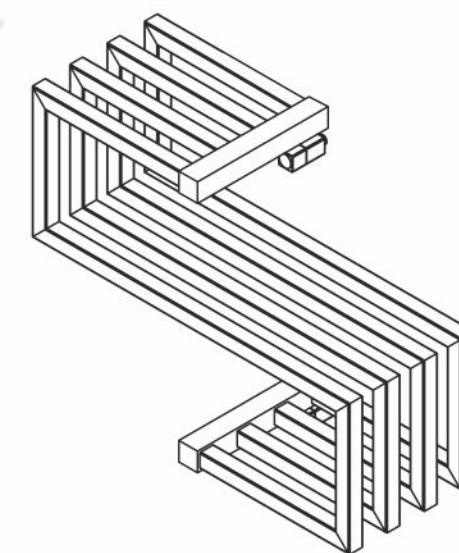
Three rectangular heating bars that mounted in parallel on the wall. Shouting aspects of minimalism but in a strong and stylish way.



SWIFT

V MOUNT POSITION
 O C OPEN/CLOSED SYSTEM
 10 WORKING PRESSURE
 120°C WORKING TEMP.
 10 YEARS WARRANTY

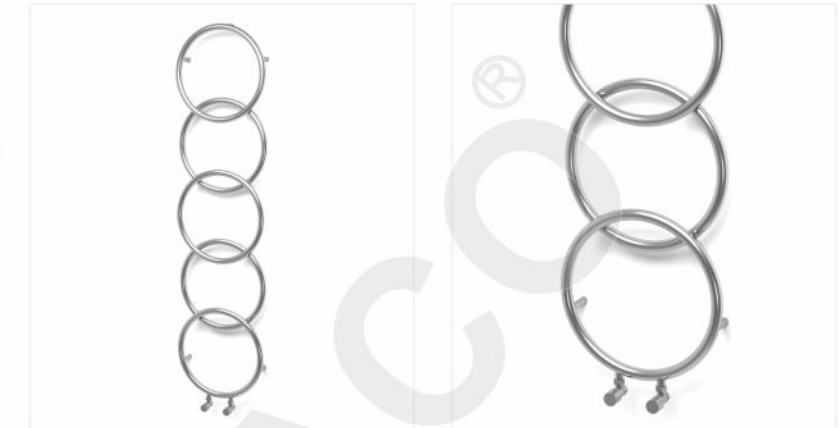
Product Name	Height (mm)	Length (mm)	Depth (mm)	C/C OF Pipes (mm)	Towel Gaps	Pipes or Sections	Heat Output (BTU/w) ΔT50	Finish S:BrushedMatt P:Polished
SW90E05	530	680	280	500	-	4	1150 337	S





RING

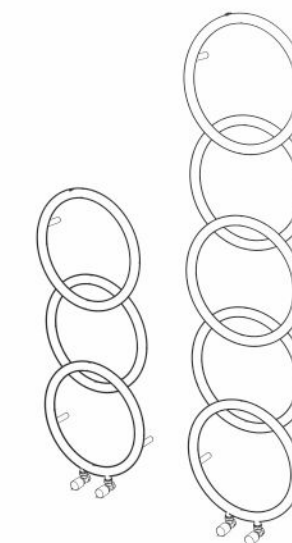
For round style lovers who care about beauty; this is inspiring. This creative and reliable heat bar provides enough warmth and towel spaces.



RING

V MOUNT POSITION
 O C OPEN/CLOSED SYSTEM
 8 WORKING PRESSURE
 120°C WORKING TEMP.
 10 YEARS WARRANTY

Product Name	Height (mm)	Length (mm)	Depth (mm)	C/C OF Pipes (mm)	Towel Gaps	Pipes or Sections	Heat Output (BTU/w) ΔT50		Finish
RI92E09	940	380	50	70 - 500	3	3	690	202	P
RI92E15	1500	380	50	70 - 500	5	5	1150	337	P





BUBBLE

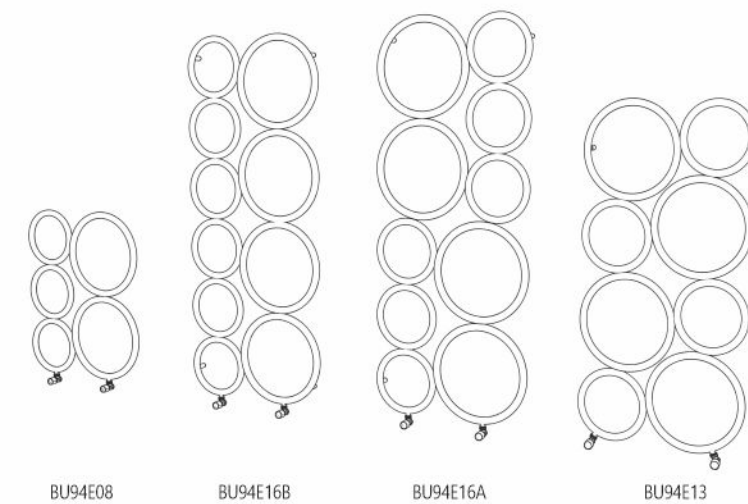
Bubbles of creativity emanating from a wonderful mind. enough warmth and towel spaces for circle lovers.



BUBBLE

V MOUNT POSITION
 O C OPEN/CLOSED SYSTEM
 10 WORKING PRESSURE
 120°C WORKING TEMP.
 10 YEARS WARRANTY

Product Name	Height (mm)	Length (mm)	Depth (mm)	C/C OF Pipes (mm)	Towel Gaps	Pipes or Sections	Heat Output (BTU/w) ΔT50		Finish S:BrushedMatt P:Polished
BU94E08	850	700	25	150 - 500	5	5	1475	432	P
BU94E13	1320	655	25	150 - 500	8	8	2360	692	P
BU94E16A	1680	700	25	150 - 500	10	10	2950	865	P
BU94E16B	1680	700	25	150 - 500	10	10	2950	865	P



LILY

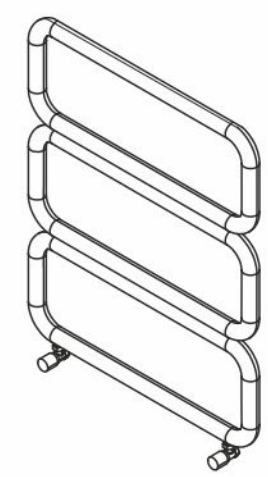
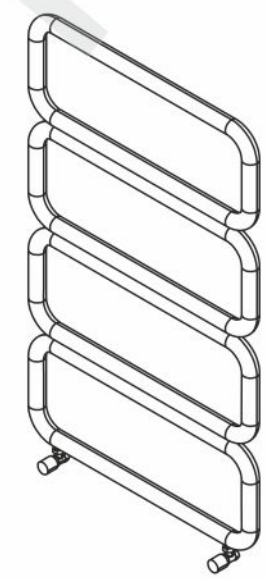
Quality fit for a King. This towel rail looks simple, but it has been carefully designed for maximum heating performance and capacity. Just don't lose your head deciding where to put it.



LILY

- V MOUNT POSITION
- O C OPEN/CLOSED SYSTEM
- 8 WORKING PRESSURE
- 120°C WORKING TEMP.
- 10 YEARS WARRANTY

Product Name	Height (mm)	Length (mm)	Depth (mm)	C/C OF Pipes (mm)	Towel Gaps	Pipes or Sections	Heat Output (BTU/w) ΔT50		Finish S:BrushedMatt P:Polished
LI96E08	830	680	38	60 - 500	3	3	973	285	P
LI96E11	1100	680	38	60 - 500	4	4	1311	384	P



MIRA

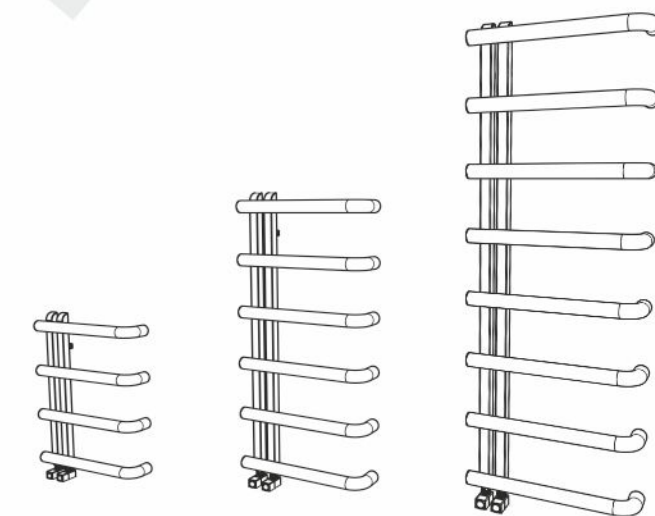
Endless beauty of tubular heating bars lean back to the wall and warmth your place so gentle so strong.



MIRA

E ELECTRICAL
 V H MOUNT POSITION
 O C OPEN/CLOSED SYSTEM
 10 WORKING PRESSURE
 120°C WORKING TEMP.
 20 YEARS WARRANTY

Product Name	Height (mm)	Length (mm)	Depth (mm)	C/C OF Pipes (mm)	Towel Gaps	Pipes or Sections	Heat Output (BTU/w) ΔT50		Finish S:BrushedMatt P:Polished
M198E06	650	500	115	50-360	4	6	540	158	P
M198E10	1020	500	115	50-360	6	8	725	212	P
M198E13	1380	500	115	50-360	8	10	1080	317	P





DELPHINE

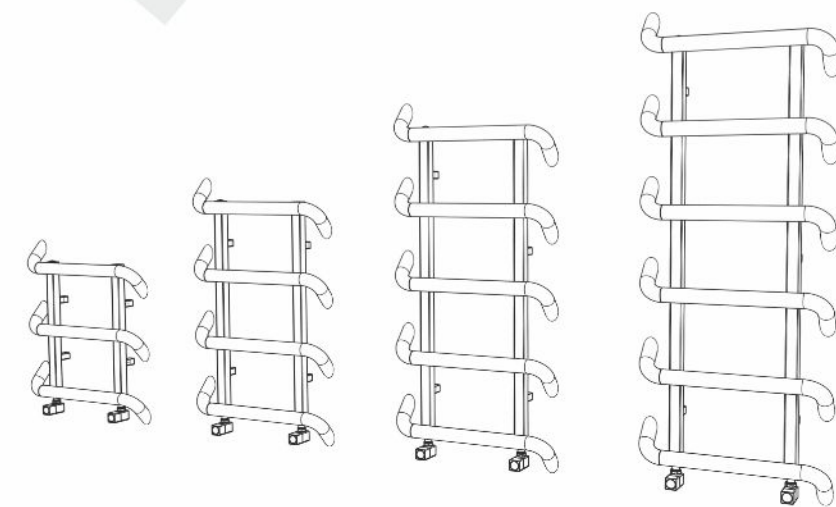
Endless creativity of curved heating bars. Originate from the wall and return back to make your room a better place to be.



DELPHINE

E ELECTRICAL
 V H MOUNT POSITION
 O C OPEN/CLOSED SYSTEM
 10 WORKING PRESSURE
 120°C WORKING TEMP.
 10 YEARS WARRANTY

Product Name	Height (mm)	Length (mm)	Depth (mm)	C/C OF Pipes (mm)	Towel Gaps	Pipes or Sections	Heat Output (BTU/w) ΔT50		Finish S:BrushedMatt P:Polished
DE100E06	630	500	100	60 - 300	3	3	615	180	P
DE100E08	840	500	100	60 - 300	4	4	820	240	P
DE100E10	1050	500	100	60 - 300	5	5	1025	300	P
DE100E12	1260	500	100	60 - 300	6	6	1230	360	P





LEAN

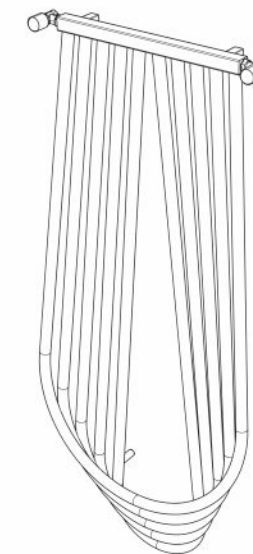
So special and romantic contemporary design blends bold, angular columns with curvaceous tubular bars, perfect marriage of performance and beauty.



LEAN

V MOUNT POSITION
 O C OPEN/CLOSED SYSTEM
 10 WORKING PRESSURE
 120°C WORKING TEMP.
 10 YEARS WARRANTY

Product Name	Height (mm)	Length (mm)	Depth (mm)	C/C OF Pipes (mm)	Towel Gaps	Pipes or Sections	Heat Output (BTU/w) ΔT50		Finish S:BrushedMatt P:Polished
LE102E13	1380	600	120	50 - 430 (550)	-	6	2105	617	P





OLYMPIA

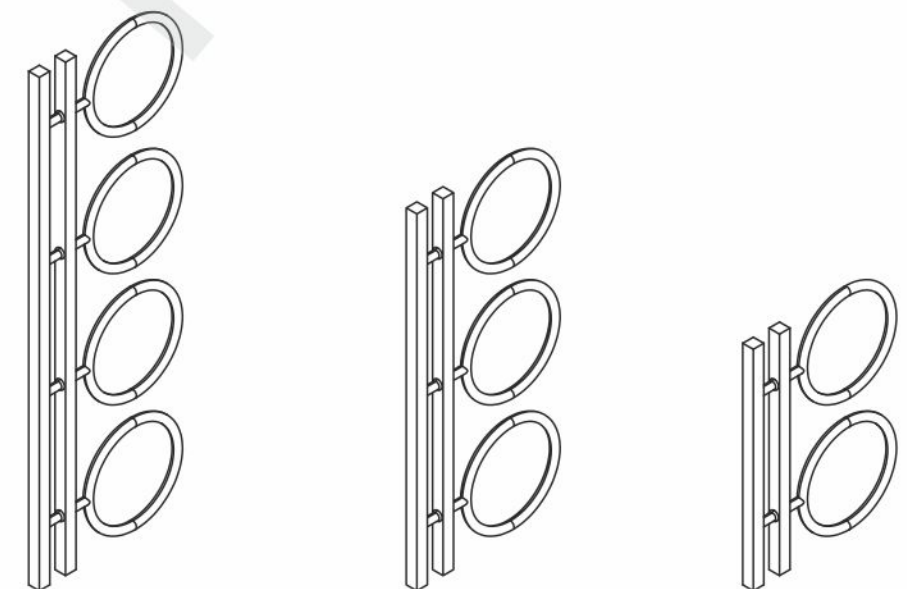
Fantastic marriage of round and cube. two strong and secure columns with three rounded polished stainless steel bars provides such a reliable and stable picture that you have no choice but to trust it.



OLYMPIA

E ELECTRICAL
 V MOUNT POSITION
 O C OPEN/CLOSED SYSTEM
 10 WORKING PRESSURE
 120°C WORKING TEMP.
 10 YEARS WARRANTY

Product Name	Height (mm)	Length (mm)	Depth (mm)	C/C OF Pipes (mm)	Towel Gaps	Pipes or Sections	Heat Output (BTU/w) ΔT50		Finish S:BrushedMatt P:Polished
OL104E08	820	560	40	100	2	2	705	206	P/SP
OL104E12	1240	560	40	100	3	3	830	243	P/SP
OL104E17	1660	560	40	100	4	4	954	279	P/SP





SPRINGS

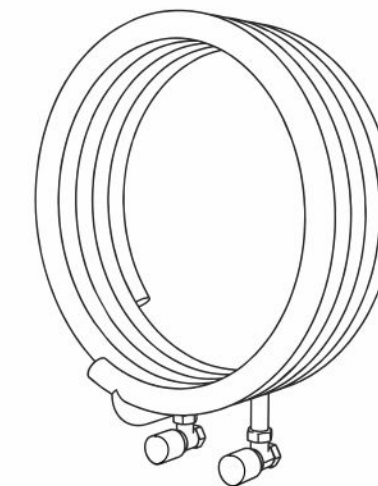
Eye - catching rings hang in the air, guaranteed to raise a smile along with the temperature.



SPRINGS

V MOUNT POSITION
 O C OPEN/CLOSED SYSTEM
 10 WORKING PRESSURE
 120°C WORKING TEMP.
 20 YEARS WARRANTY

Product Name	Height (mm)	Length (mm)	Depth (mm)	C/C OF Pipes (mm)	Towel Gaps	Pipes or Sections	Heat Output (BTU/w) ΔT50		Finish S:BrushedMatt P:Polished
SP106E03	300	300	180	70 - 420	1	6	1311	384	P
SP106E04	380	380	150	70 - 500	1	5	1311	384	P





Radiaco107 | CLASSIC

CLASSIC

CLASSIC

E ELECTRICAL
 H MOUNT POSITION
 O C OPEN/CLOSED SYSTEM
 10 WORKING PRESSURE
 120°C WORKING TEMP.
 20 YEARS WARRANTY

Product Name	Height (mm)	Length (mm)	Depth (mm)	C/C OF Pipes (mm)	Towel Gaps	Pipes or Sections	Heat Output (BTU/w) ΔT50		Finish S:BrushedMatt P:Polished
CL107E08	550	850	50	500	7	11	852	250	S/P
CL107E10	550	1100	50	500	8	12	1080	317	S/P

Powerfull columns with fine curved bar on the top, brings a sense of classic design to your place. Enjoy its warmth, beauty and special gravity.



Radiaco108 | HEROD

HEROD

HEROD

E ELECTRICAL
 H MOUNT POSITION
 O C OPEN/CLOSED SYSTEM
 10 WORKING PRESSURE
 120°C WORKING TEMP.
 20 YEARS WARRANTY

Product Name	Height (mm)	Length (mm)	Depth (mm)	C/C OF Pipes (mm)	Towel Gaps	Pipes or Sections	Heat Output (BTU/w) ΔT50		Finish S:BrushedMatt P:Polished
HR108E09	540	910	40	500	7	13	852	250	P/SP
HR108E11	540	1150	40	500	9	17	1151	337	P/SP

Powerfull columns with fine curved bar on the top, brings a sense of neoclassic design to your place. Enjoy its warmth, beauty and special gravity.



ATLAS

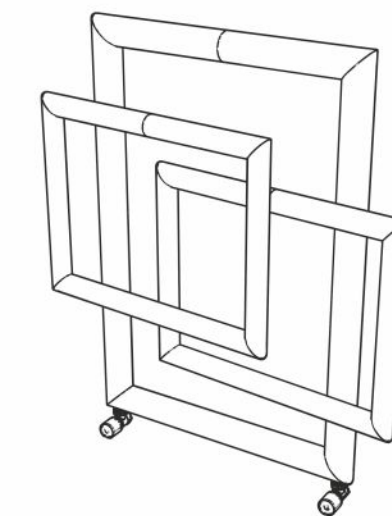
Timeless beauty. three rectangular super finished stainless steel heat bars seems to floating in space. Guaranteed to make any room a better place to be.



ATLAS

E ELECTRICAL
 V MOUNT POSITION
 O C OPEN/CLOSED SYSTEM
 10 WORKING PRESSURE
 120°C WORKING TEMP.
 10 YEARS WARRANTY

Product Name	Height (mm)	Length (mm)	Depth (mm)	C/C OF Pipes (mm)	Towel Gaps	Pipes or Sections	Heat Output (BTU/w) ΔT50		Finish S:BrushedMatt P:Polished
AT110E08	800	740	120	50 - 500	6	6	1261	370	P





IRIS

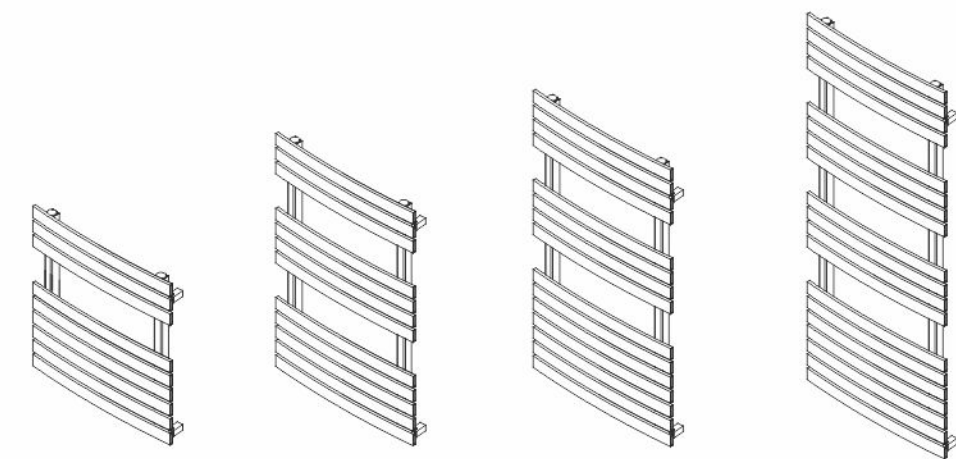
Everyone knows the restorative powers of a well-timed nap. So imagine snoozing whilst wrapped up in a bathrobe warmed by the smooth panels of this high-performance towel rail. Bliss.



IRIS

E ELECTRICAL
 V MOUNT POSITION
 O C OPEN/CLOSED SYSTEM
 8 WORKING PRESSURE
 120°C WORKING TEMP.
 10 YEARS WARRANTY

Product Name	Height (mm)	Length (mm)	Depth (mm)	C/C OF Pipes (mm)	Towel Gaps	Pipes or Sections	Heat Output (BTU/w)		Finish S:BrushedMatt P:Polished
							ΔT50	ΔT70	
IR112E06	650	600	50	500	1	9	1190	347	S/P
IR112E08	860	600	50	500	2	12	1591	466	S/P
IR112E10	1030	600	50	500	2	15	1903	558	S/P
IR112E13	1350	600	50	500	3	19	2351	689	S/P





E-TYPE

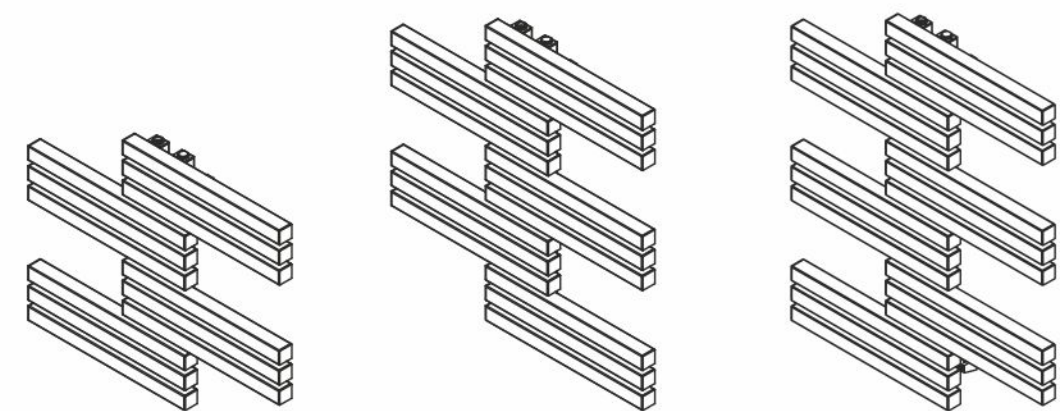
Ultra modern, ultra chic. This symmetrical design is very easy on the eye. It's satin finish shimmers in the light while the radiator gives off it's comforting heat.



E-TYPE

E ELECTRICAL
 V MOUNT POSITION
 O C OPEN/CLOSED SYSTEM
 8 WORKING PRESSURE
 120°C WORKING TEMP.
 10 YEARS WARRANTY

Product Name	Height (mm)	Length (mm)	Depth (mm)	C/C OF Pipes (mm)	Towel Gaps	Pipes or Sections	Heat Output (BTU/w)		Finish
							ΔT50	ΔT70	
ET114E07	700	900	60	60 - 500	3	12	1591	466	S/P
ET114E09	880	900	60	60 - 500	4	15	1903	558	S/P
ET114E10	1060	900	60	60 - 500	5	18	2351	689	S/P





F-type

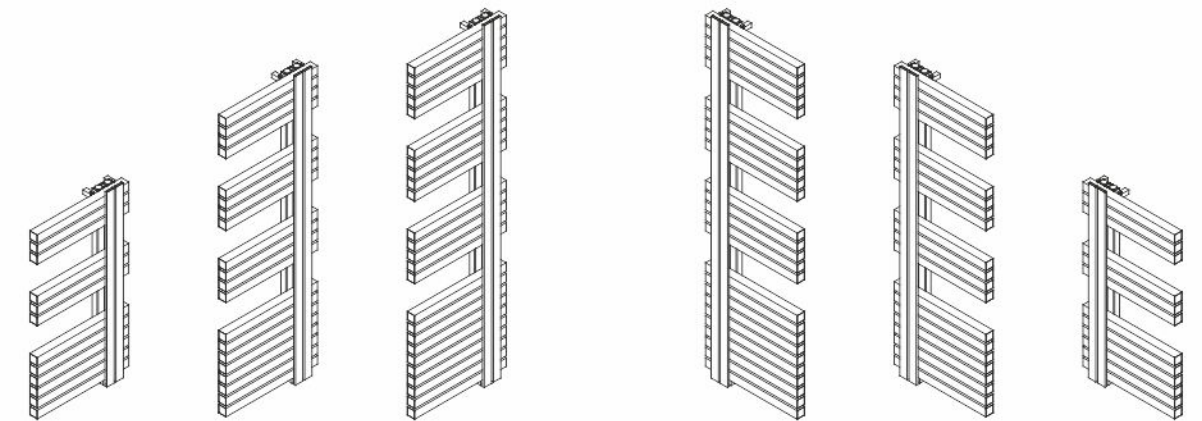
Asymmetry at its best. This unusual design can be hung right or left-handed. It comes in three heights with a choice of brushed or polished steel finishes. The decision is yours.



F-TYPE

E ELECTRICAL
 V MOUNT POSITION
 O C OPEN/CLOSED SYSTEM
 8 WORKING PRESSURE
 120°C WORKING TEMP.
 10 YEARS WARRANTY

Product Name	Height (mm)	Length (mm)	Depth (mm)	C/C OF Pipes (mm)	Towel Gaps	Pipes or Sections	Heat Output (BTU/w) ΔT50		Finish S:BrushedMatt P:Polished
FT116E09-R	920	540	80	60 - 500	2	12	1591	466	S/P
FT116E09-L	920	540	80	60 - 500	2	12	1591	466	S/P
FT116E15-R	1460	540	80	60 - 500	3	20	2351	689	S/P
FT116E15-L	1460	540	80	60 - 500	3	20	2351	689	S/P
FT116E17-R	1710	540	80	60 - 500	4	25	2938	861	S/P
FT116E17-L	1710	540	80	60 - 500	4	25	2938	861	S/P

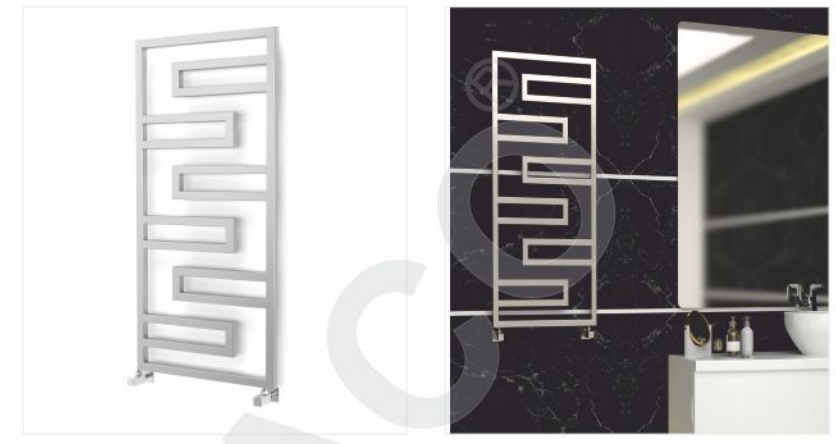


L: Left-handed

R: Right-handed



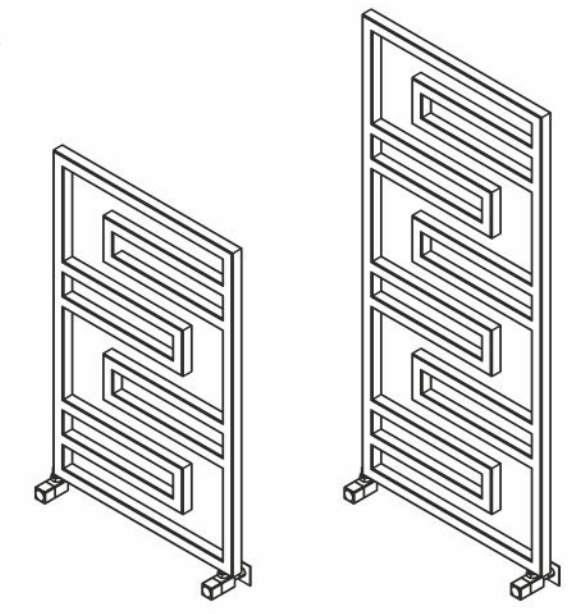
Cleverly designed to hang your towels properly and organized in special Gaps.



GAP

V MOUNT POSITION
 O C OPEN/CLOSED SYSTEM
 10 WORKING PRESSURE
 120°C WORKING TEMP.
 20 YEARS WARRANTY

Product Name	Height (mm)	Length (mm)	Depth (mm)	C/C OF Pipes (mm)	Towel Gaps	Pipes or Sections	Heat Output (BTU/w) ΔT50		Finish S:BrushedMatt P:Polished
GA118E08	840	540	30	50 - 500	4	8	1122	329	S/P
GA118E12	1200	540	30	50 - 500	6	12	1621	475	S/P





FLAG

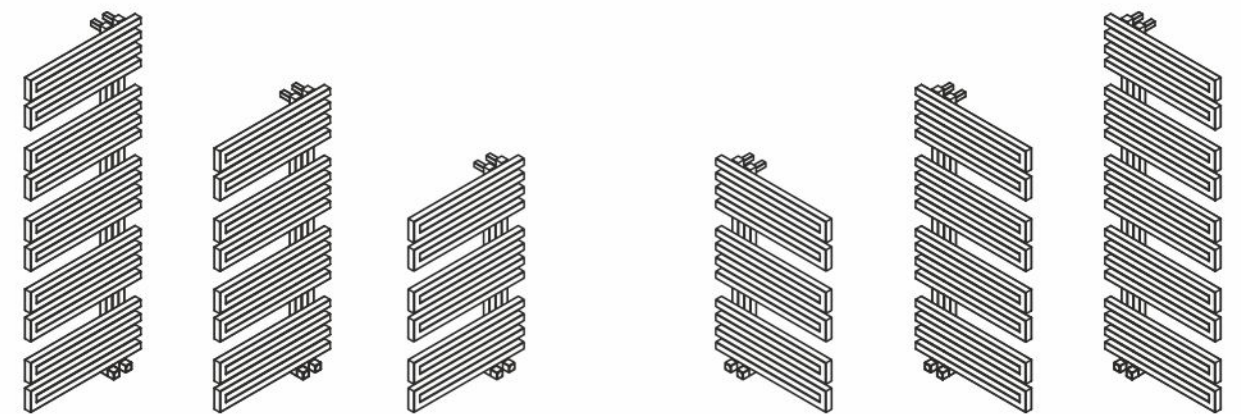
Post-bathing paradise.
Imagine a place where all your towels can gently warm while you relax in the bath.
This heated rail provides lots of space even for the longest of towels.



FLAG

E ELECTRICAL
 V MOUNT POSITION
 O C OPEN/CLOSED SYSTEM
 8 WORKING PRESSURE
 120°C WORKING TEMP.
 10 YEARS WARRANTY

Product Name	Height (mm)	Length (mm)	Depth (mm)	C/C OF Pipes (mm)	Towel Gaps	Pipes or Sections	Heat Output (BTU/w) ΔT50		Finish S:BrushedMatt P:Polished
FL120E08-R	820	540	60	60 - 500	6	12	1121	329	S/P
FL120E08-L	820	540	60	60 - 500	6	12	1121	329	S/P
FL120E11-R	1100	540	60	60 - 500	8	16	1381	405	S/P
FL120E11-L	1100	540	60	60 - 500	8	16	1381	405	S/P
FL120E14-R	1400	540	60	60 - 500	10	20	1655	485	S/P
FL120E14-L	1400	540	60	60 - 500	10	20	1655	485	S/P



L: Left-handed

R: Right-handed



Plus

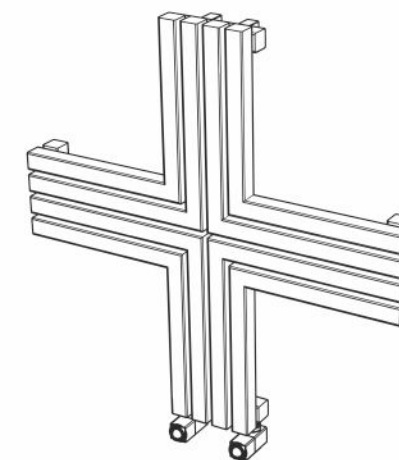
Complexity of heat circulation plus the tranquility of a minimal design. Superbly crafted to ensure a flawless finish.



PLUS

E ELECTRICAL
 V MOUNT POSITION
 O C OPEN/CLOSED SYSTEM
 8 WORKING PRESSURE
 120°C WORKING TEMP.
 10 YEARS WARRANTY

Product Name	Height (mm)	Length (mm)	Depth (mm)	C/C OF Pipes (mm)	Towel Gaps	Pipes or Sections	Heat Output (BTU/w) ΔT50	Finish S:BrushedMatt P:Polished
PL122E07	700	700	60	60 - 120 (250)	-	8	1151 337	S/P





Z-TYPE

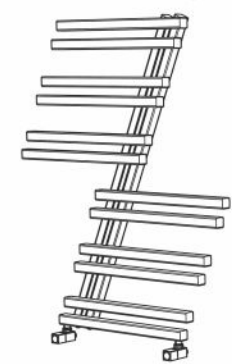
Bold and beautiful. This radiator demands your attention and keeps any room privileged and warm. It's all about the detail and this has been designed to perfection.



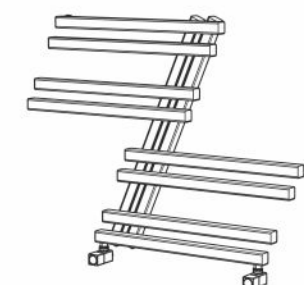
Z-TYPE

- ELECTRICAL
- MOUNT POSITION
- OPEN/CLOSED SYSTEM
- WORKING PRESSURE
- WORKING TEMP.
- WARRANTY

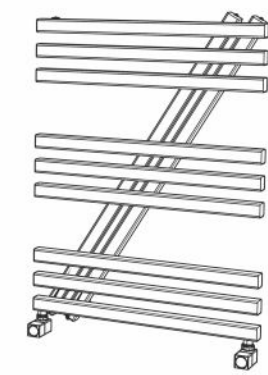
Product Name	Height (mm)	Length (mm)	Depth (mm)	C/C OF Pipes (mm)	Towel Gaps	Pipes or Sections	Heat Output (BTU/w) ΔT50		Finish S:BrushedMatt P:Polished
ZT124E06	650	880	60	60 - 500	4	8	1060	310	S/P
ZT124E07	750	540	60	60 - 500	3	9	1193	349	S/P
ZT124E10	1000	880	60	60 - 500	6	12	1591	466	S/P



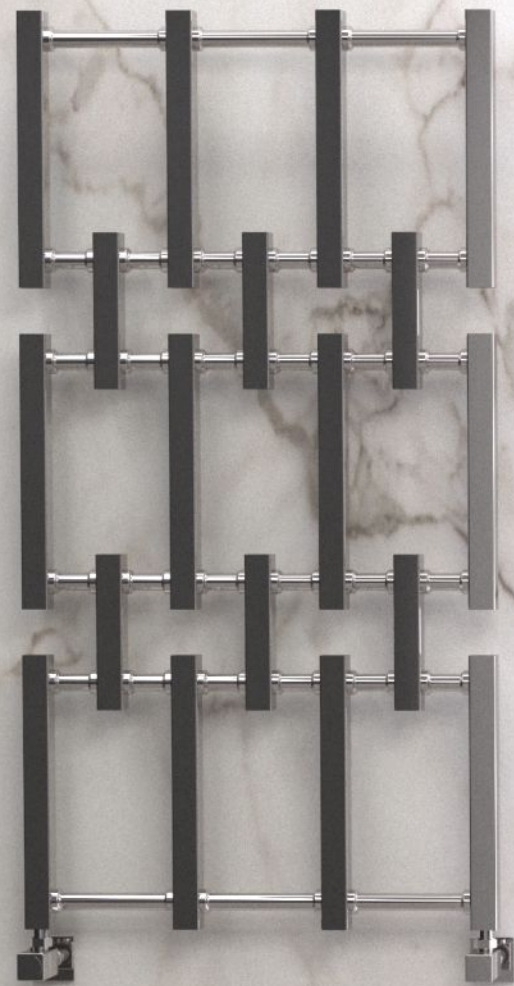
ZT124E10



ZT124E06

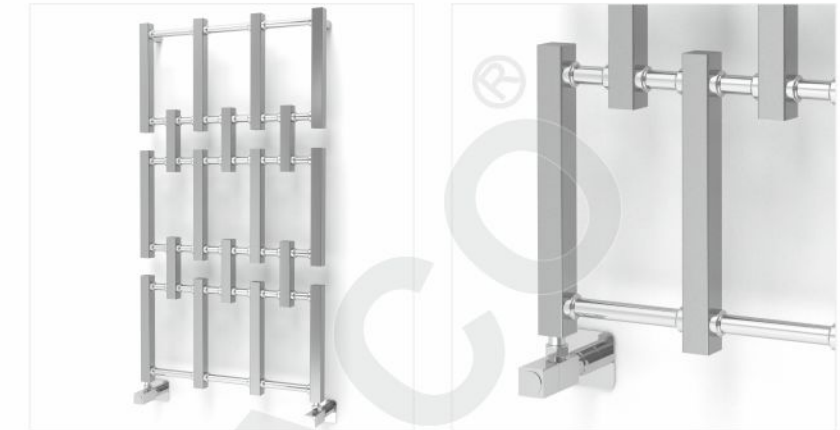


ZT124E07



FLARE

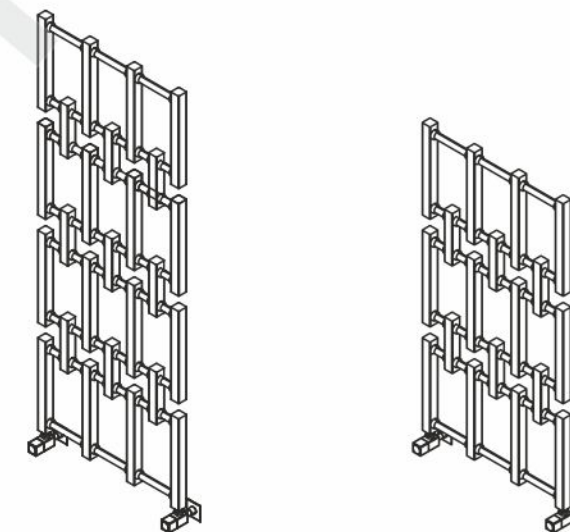
Muscular cubed Heat bars meets fine tubular lines. Practicality meets style. Ideal for when wall space is at a premium.



FLARE

V MOUNT POSITION
 O C OPEN/CLOSED SYSTEM
 8 WORKING PRESSURE
 120°C WORKING TEMP.
 10 YEARS WARRANTY

Product Name	Height (mm)	Length (mm)	Depth (mm)	C/C OF Pipes (mm)	Towel Gaps	Pipes or Sections	Heat Output (BTU/w) ΔT50		Finish S:BrushedMatt P:Polished
FL126E10	1000	530	30	165 / 500	9	18	1260	369	S/P
FL126E13	1350	530	30	165 / 500	12	21	1680	492	S/P





BRICK

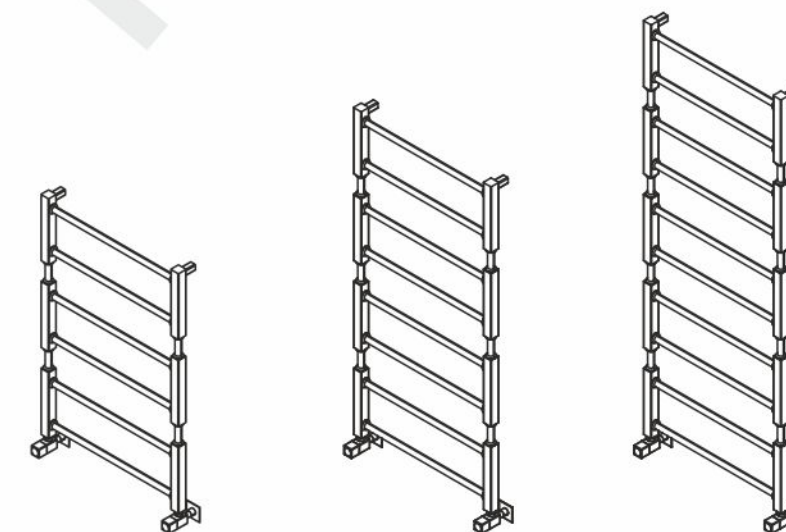
Using both of tubular and cubed profiles, enough attractive and reliable to fit in with almost any interior design theme.



BRICK

E ELECTRICAL
 V MOUNT POSITION
 O C OPEN/CLOSED SYSTEM
 8 WORKING PRESSURE
 120°C WORKING TEMP.
 10 YEARS WARRANTY

Product Name	Height (mm)	Length (mm)	Depth (mm)	C/C OF Pipes (mm)	Towel Gaps	Pipes or Sections	Heat Output (BTU/w) ΔT50		Finish S:BrushedMatt P:Polished
BR128E09	880	530	30	500	6	6	852	250	P/SP
BR128E12	1200	530	30	500	8	8	1151	337	P/SP
BR128E15	1500	530	30	500	10	10	1432	420	P/SP





Diamond

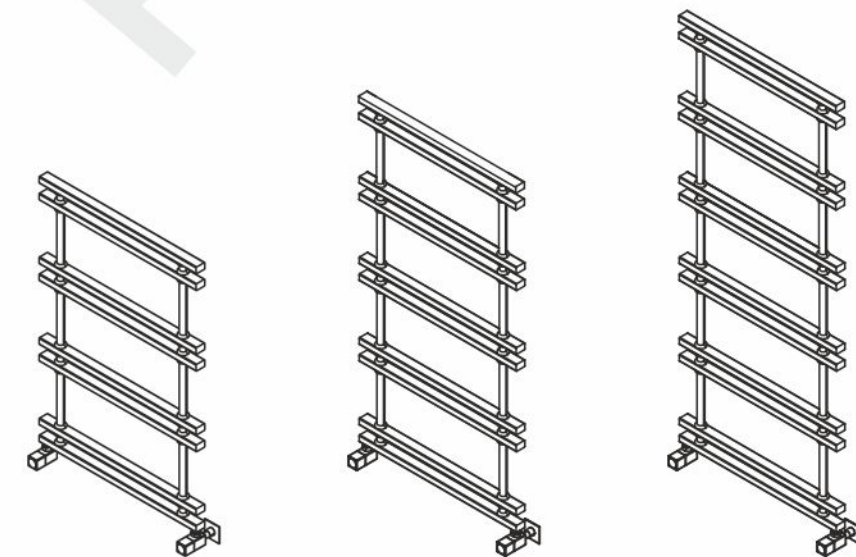
Alluring, understated elegance. Calm marriage of slim tubes and cubed rows throw out plenty of heat Without feeling the need to shout about it.



DIAMOND

V MOUNT POSITION O C OPEN/CLOSED SYSTEM 8 WORKING PRESSURE 120°C WORKING TEMP. 10 YEARS WARRANTY

Product Name	Height (mm)	Length (mm)	Depth (mm)	C/C OF Pipes (mm)	Towel Gaps	Pipes or Sections	Heat Output (BTU/w) ΔT50		Finish S:BrushedMatt P:Polished
DI130E08	800	540	30	50 - 500	3	8	1050	308	P/SP
DI130E10	1030	540	30	50 - 500	4	10	1289	378	P/SP
DI130E13	1270	540	30	50 - 500	5	12	1555	456	P/SP





CRAFT

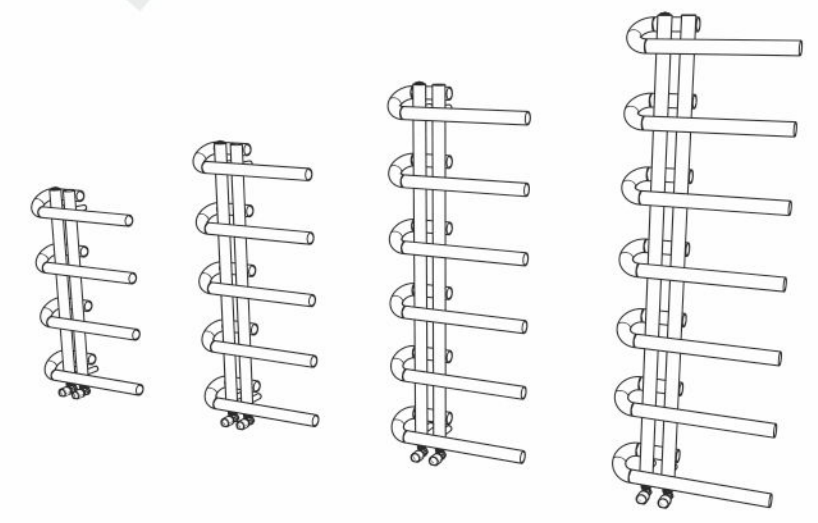
Nothing will bother you and your eyes. Stunning curved heating bars bring the warmth and beauty for you so gentle so fine.



CRAFT

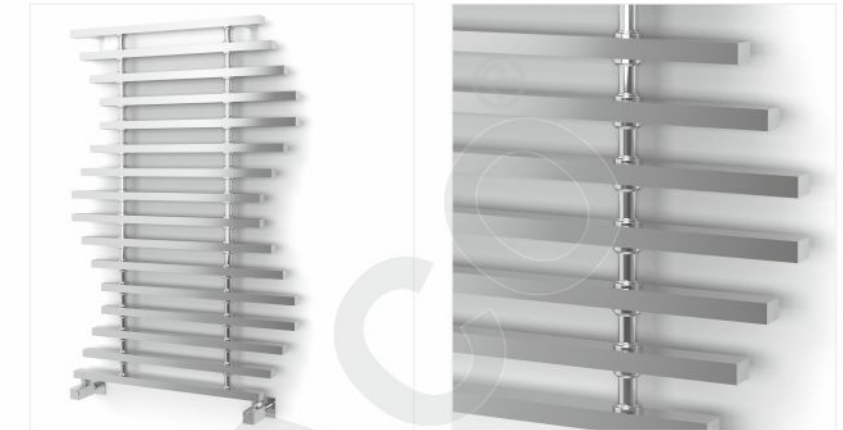
E ELECTRICAL
 V MOUNT POSITION
 O C OPEN/CLOSED SYSTEM
 8 WORKING PRESSURE
 120°C WORKING TEMP.
 10 YEARS WARRANTY

Product Name	Height (mm)	Length (mm)	Depth (mm)	C/C OF Pipes (mm)	Towel Gaps	Pipes or Sections	Heat Output (BTU/w) ΔT50		Finish S:BrushedMatt P:Polished
CR132E07	780	500	110	60 - 390	4	4	615	180	P
CR132E10	1000	500	110	60 - 390	5	5	820	240	P
CR132E12	1230	500	110	60 - 390	6	6	1025	300	P
CR132E14	1450	500	110	60 - 390	7	7	1230	360	P



MOTION

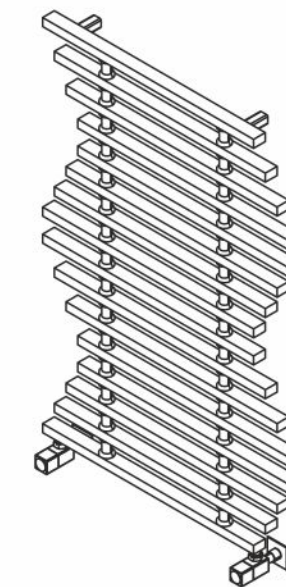
Motion like, it is tiered against the wall to create an unusual, slim line look that boosts unrivaled Attention to detail.



MOTION

V MOUNT POSITION
 O C OPEN/CLOSED SYSTEM
 8 WORKING PRESSURE
 120°C WORKING TEMP.
 10 YEARS WARRANTY

Product Name	Height (mm)	Length (mm)	Depth (mm)	C/C OF Pipes (mm)	Towel Gaps	Pipes or Sections	Heat Output (BTU/w) ΔT50		Finish S:BrushedMatt P:Polished
MO134E09	1000	630	30	50 - 500	15	16	1840	540	S/P





OVAL

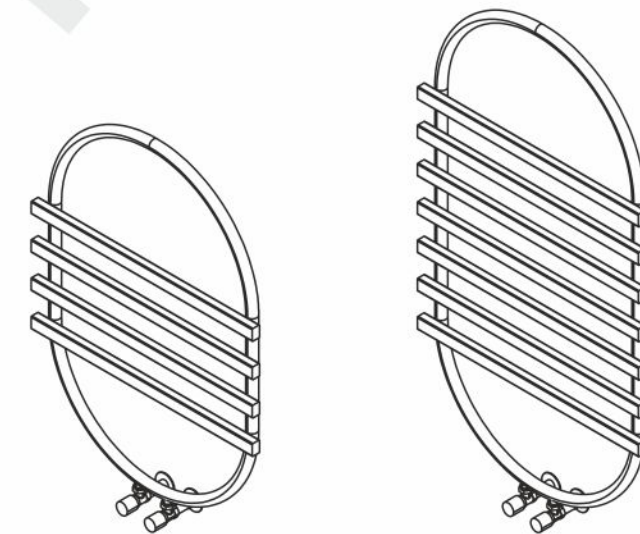
Combination of stylish oval frame with several vertical heat bars. this towel dryer co-operate with any design style while demonstrate more than enough authenticity, beauty and efficiency.



OVAL

V MOUNT POSITION
 O C OPEN/CLOSED SYSTEM
 8 WORKING PRESSURE
 120°C WORKING TEMP.
 10 YEARS WARRANTY

Product Name	Height (mm)	Length (mm)	Depth (mm)	C/C OF Pipes (mm)	Towel Gaps	Pipes or Sections	Heat Output (BTU/w) ΔT50		Finish S:BrushedMatt P:Polished
OV136E08	850	600	45	70 - 500	5	5	820	240	S/SP
OV136E11	1060	600	45	70 - 500	7	7	1230	360	S/SP





BINARY

Quirky isn't the word. The fun combination of wide tubular rows connected to two slim columns is sure to please, and is versatile enough to suit any style of bathroom.



BINARY

V MOUNT POSITION
 O C OPEN/CLOSED SYSTEM
 10 WORKING PRESSURE
 120°C WORKING TEMP.
 10 YEARS WARRANTY

Product Name	Height (mm)	Length (mm)	Depth (mm)	C/C OF Pipes (mm)	Towel Gaps	Pipes or Sections	Heat Output (BTU/w) ΔT50		Finish S:BrushedMatt P:Polished
BI138E07	700	540	51	50 - 500	2	6	1122	328	P
BI138E10	990	540	51	50 - 500	3	8	1496	438	P
BI138E13	1270	540	51	50 - 500	4	10	1994	584	P
BI138E16	1560	540	51	50 - 500	5	12	2493	730	P





ROUND Z-TYPE

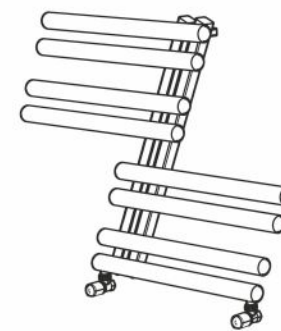
Keeping interiors warm and stylish, Round Z-type is a simple yet elegant compliment to any room. The wonderful handmade touch ensures the highest quality finish in a brushed or polished clean look.



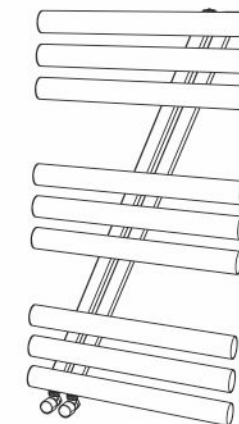
ROUND Z-TYPE

E ELECTRICAL
 V MOUNT POSITION
 O C OPEN/CLOSED SYSTEM
 8 WORKING PRESSURE
 120°C WORKING TEMP.
 10 YEARS WARRANTY

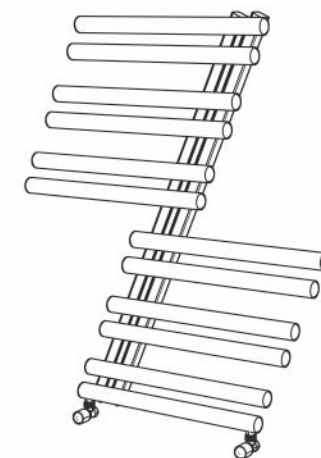
Product Name	Height (mm)	Length (mm)	Depth (mm)	C/C OF Pipes (mm)	Towel Gaps	Pipes or Sections	Heat Output (BTU/w) ΔT50		Finish S:BrushedMatt P:Polished
RO140E06	660	880	70	60 - 500	4	8	1060	310	S/P
RO140E09	950	500	80	60 - 460	3	9	1193	349	S/P
RO140E10	1000	880	70	60 - 500	6	12	1591	466	S/P



RO140E06



RO140E09



RO140E10

FAIRY

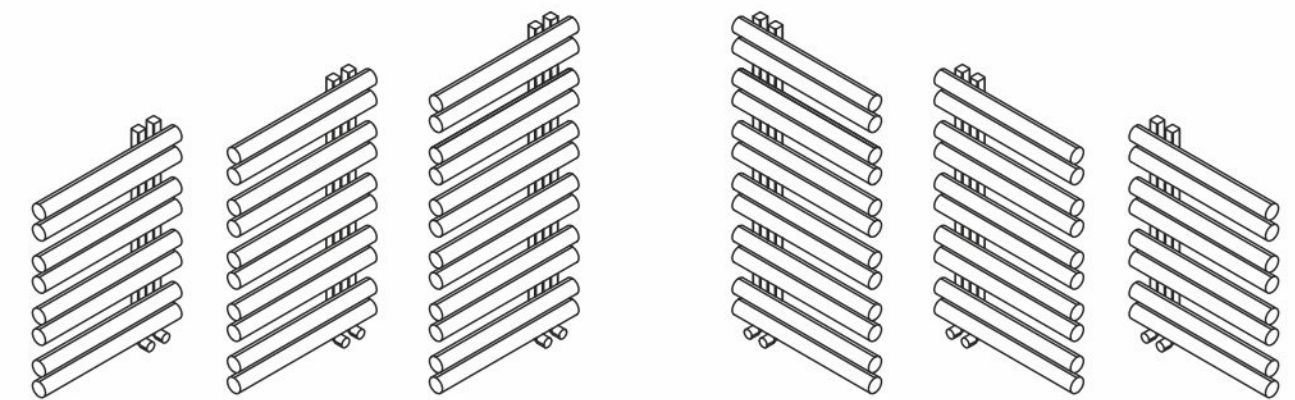
Strong, Dependable. The masculine lines of this powerful design will make your bathroom stand out from the crowd at the same time as keeping away the chill.



FAIRY

E ELECTRICAL
 V MOUNT POSITION
 O C OPEN/CLOSED SYSTEM
 8 WORKING PRESSURE
 120°C WORKING TEMP.
 10 YEARS WARRANTY

Product Name	Height (mm)	Length (mm)	Depth (mm)	C/C OF Pipes (mm)	Towel Gaps	Pipes or Sections	Heat Output (BTU/w) ΔT50		Finish
							S	P	S:BrushedMatt P:Polished
FA142E06-R	700	540	80	60 - 500	3	8	1050	307	S/P
FA142E06-L	700	540	80	60 - 500	3	8	1050	307	S/P
FA142E08-R	900	540	80	60 - 500	4	10	1410	413	S/P
FA142E08-L	900	540	80	60 - 500	4	10	1410	413	S/P
FA142E10-R	1100	540	80	60 - 500	5	12	1720	504	S/P
FA142E10-L	1100	540	80	60 - 500	5	12	1720	504	S/P



L: Left-handed

R: Right-handed



DAMA

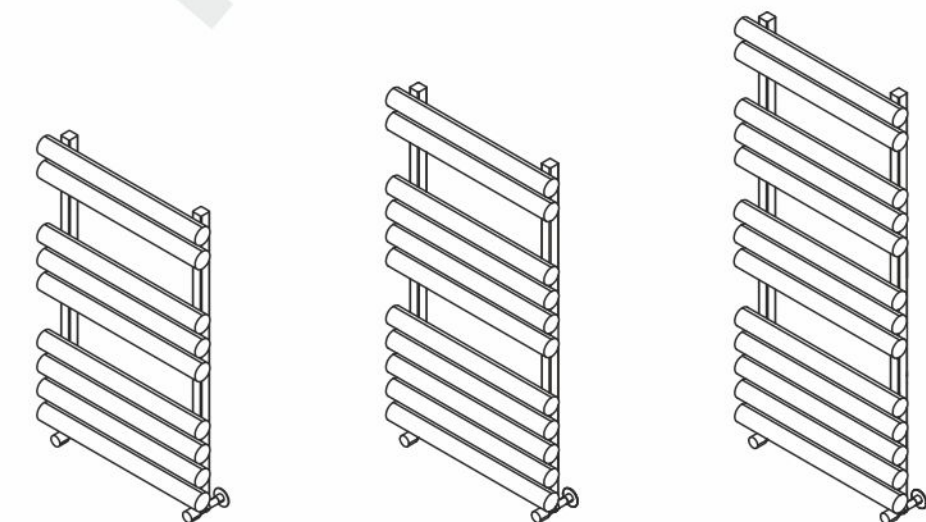
Timeless, classic beauty in the simple stainless steel rows and columns of this generously proportioned towel rail. Guaranteed to make any room a better place to be.



DAMA

E ELECTRICAL
 V MOUNT POSITION
 O C OPEN/CLOSED SYSTEM
 8 WORKING PRESSURE
 120°C WORKING TEMP.
 10 YEARS WARRANTY

Product Name	Height (mm)	Length (mm)	Depth (mm)	C/C OF Pipes (mm)	Towel Gaps	Pipes or Sections	Heat Output (BTU/w) ΔT50		Finish S:BrushedMatt P:Polished
DA144E08	850	600	80	500	2	9	1475	432	S/P
DA144E10	1000	600	80	500	2	11	1735	508	S/P
DA144E12	1200	600	80	500	3	13	2208	646	S/P





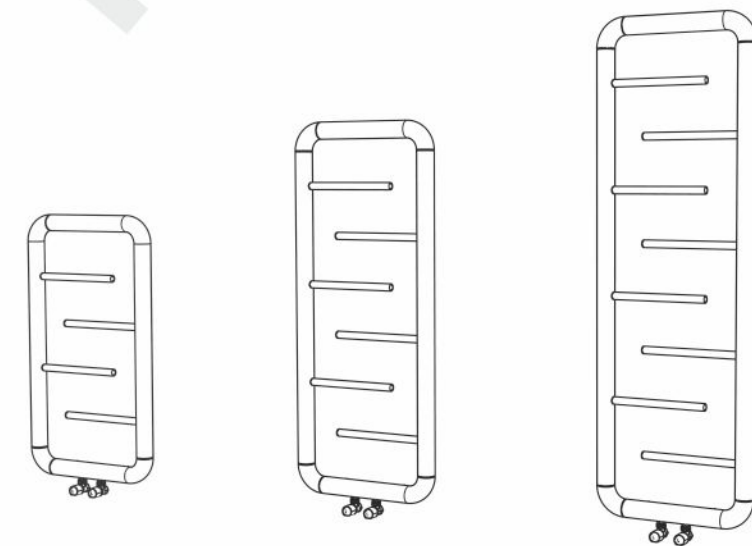
Such a clean look of an italian design towel warmer as it seems simple but every viewer will admire the beauty of Vito.



VITO

V MOUNT POSITION
 O C OPEN/CLOSED SYSTEM
 8 WORKING PRESSURE
 120°C WORKING TEMP.
 10 YEARS WARRANTY

Product Name	Height (mm)	Length (mm)	Depth (mm)	C/C OF Pipes (mm)	Towel Gaps	Pipes or Sections	Heat Output (BTU/w) ΔT50		Finish S:BrushedMatt P:Polished
VI146E09	900	500	50	60 - 270	4	8	768	225	S/P
VI146E12	1200	500	50	60 - 270	6	10	1025	300	S/P
VI146E15	1500	500	50	60 - 270	8	12	1281	375	S/P



Phoenix

PHOENIX

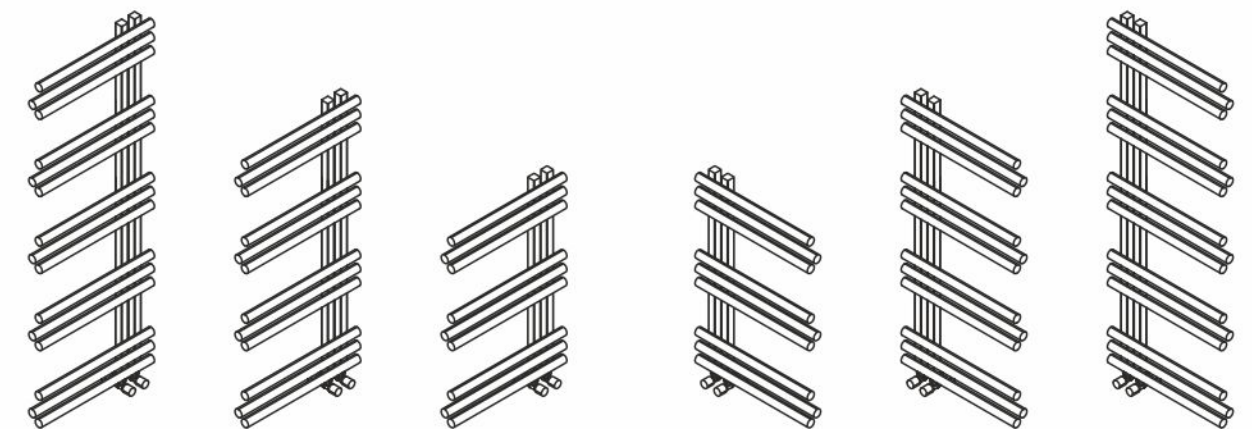
Stylish, strong towel rail.
We paid attention to
details to provide a feast
for your eyes.



PHOENIX

E ELECTRICAL
 V MOUNT POSITION
 O C OPEN/CLOSED SYSTEM
 8 WORKING PRESSURE
 120°C WORKING TEMP.
 10 YEARS WARRANTY

Product Name	Height (mm)	Length (mm)	Depth (mm)	C/C OF Pipes (mm)	Towel Gaps	Pipes or Sections	Heat Output (BTU/w) ΔT50		Finish S:BrushedMatt P:Polished
PH148E08-R	780	570	70	60 - 500	3	9	1114	339	S/P
PH148E08-L	780	570	70	60 - 500	3	9	1114	339	S/P
PH148E11-R	1080	570	70	60 - 500	4	12	1605	470	S/P
PH148E11-L	1080	570	70	60 - 500	4	12	1605	470	S/P
PH148E14-R	1390	570	70	60 - 500	5	15	2206	647	S/P
PH148E14-L	1390	570	70	60 - 500	5	15	2206	647	S/P



L: Left-handed

R: Right-handed



PRIME

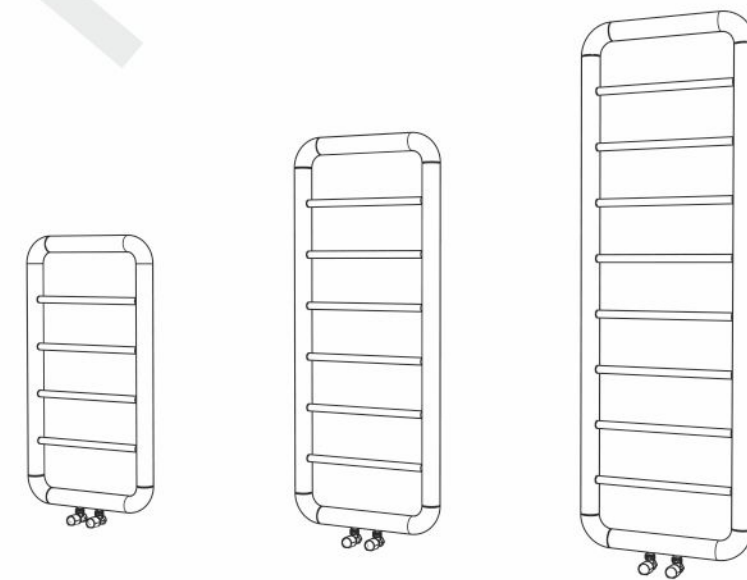
Perfectly designed tubular heating bars for the most efficiency. Completes your decoration with its special aspects of art and industry.



PRIME

E ELECTRICAL
 V MOUNT POSITION
 O C OPEN/CLOSED SYSTEM
 8 WORKING PRESSURE
 120°C WORKING TEMP.
 10 YEARS WARRANTY

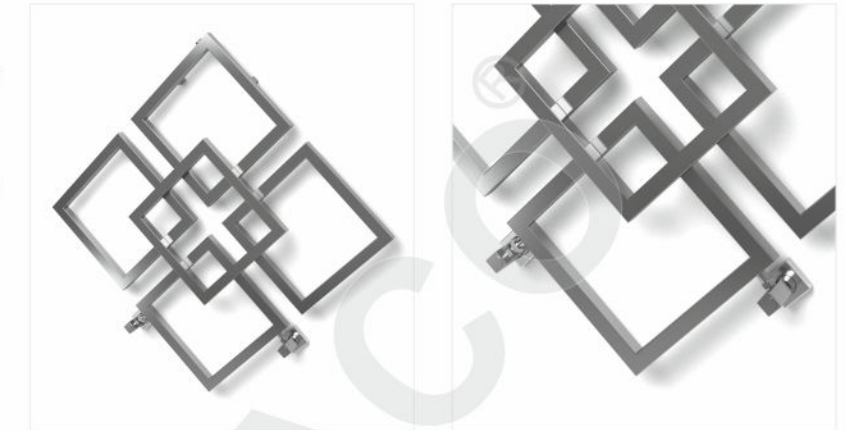
Product Name	Height (mm)	Length (mm)	Depth (mm)	C/C OF Pipes (mm)	Towel Gaps	Pipes or Sections	Heat Output (BTU/w) ΔT50		Finish S:BrushedMatt P:Polished
PR150E09	900	500	50	60 - 270	4	8	868	255	S/P
PR150E12	1200	500	50	60 - 270	6	10	1125	330	S/P
PR150E15	1500	500	50	60 - 270	8	12	1381	405	S/P





AMATIS

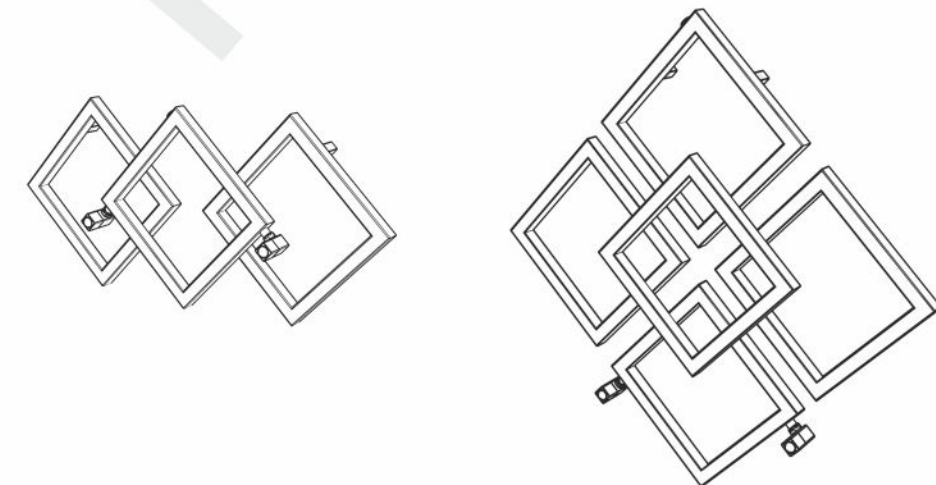
Four separate squares connect with each other by one square, special spectacular modern design inspired by amethyst stone.

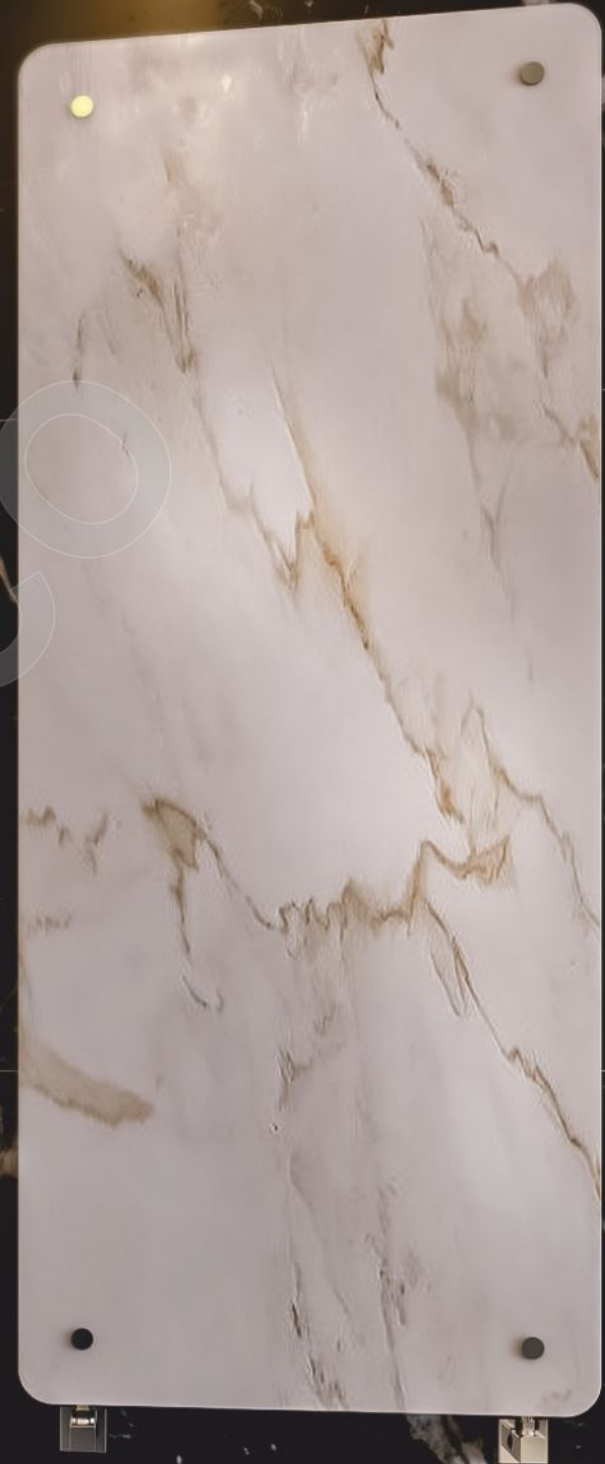


AMATIS

V MOUNT POSITION O C OPEN/CLOSED SYSTEM 10 WORKING PRESSURE 120°C WORKING TEMP. 20 YEARS WARRANTY

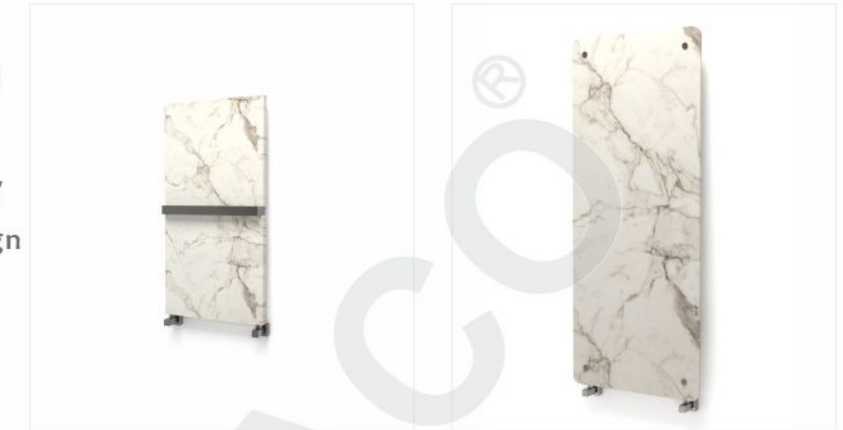
Product Name	Height (mm)	Length (mm)	Depth (mm)	C/C OF Pipes (mm)	Towel Gaps	Pipes or Sections	Heat Output (BTU/w) ΔT50		Finish S:BrushedMatt P:Polished
AM152E05	1020	470	60	100 - 500	3	3	810	237	S
AM152E10	1020	1020	60	100 - 500	5	5	1350	396	S





STONE

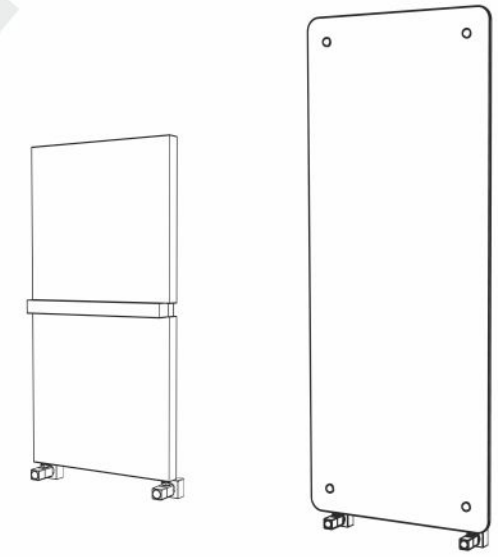
For those who do not want to see heating bars but feel its warmth; this model is inspiring and special. Enjoy of two different main design and thousands of patterns of stone or tile you prefer.



STONE

V H MOUNT POSITION
 O C OPEN/CLOSED SYSTEM
 10 WORKING PRESSURE
 120°C WORKING TEMP.
 20 YEARS WARRANTY

Product Name	Height (mm)	Length (mm)	Depth (mm)	C/C OF Pipes (mm)	Towel Gaps	Pipes or Sections	Heat Output (BTU/w) ΔT50	Finish S:BrushedMatt P:Polished
ST154E00	-	-	-	-	-	-	-	-





VENUS



VENUS

V MOUNT POSITION
 O C OPEN/CLOSED SYSTEM
 6 WORKING PRESSURE
 120°C WORKING TEMP.
 10 YEARS WARRANTY

Product Name	Height (mm)	Length (mm)	Depth (mm)	C/C OF Pipes (mm)	Towel Gaps	Pipes or Sections	Heat Output (BTU/w) ΔT50		Finish
							S	P	S:BrushedMatt P:Polished
VE156E04A	1000	244	80	50 - 210 (320)	1	4	1254	368	S/P
VE156E06A	1000	366	80	50 - 320 (450)	1	6	1566	459	S/P
VE156E08A	1000	488	80	50 - 440 (570)	1	8	2323	681	S/P
VE156E10A	1000	610	80	50 - 570 (690)	1	10	2888	846	S/P
VE156E04B	1200	244	80	50 - 210 (320)	1	4	1605	470	S/P
VE156E06B	1200	366	80	50 - 320 (450)	1	6	2350	689	S/P
VE156E08B	1200	488	80	50 - 440 (570)	1	8	2787	817	S/P
VE156E10B	1200	610	80	50 - 570 (690)	1	10	3463	1015	S/P
VE156E04C	1500	244	80	50 - 210 (320)	1	4	1881	551	S/P
VE156E06C	1500	366	80	50 - 320 (450)	1	6	2675	784	S/P
VE156E08C	1500	488	80	50 - 440 (570)	1	8	3481	1020	S/P
VE156E10C	1500	610	80	50 - 570 (690)	1	10	4330	1269	S/P
VE156E04D	1800	244	80	50 - 210 (320)	1	4	2156	632	S/P
VE156E06D	1800	366	80	50 - 320 (450)	1	6	3161	926	S/P
VE156E08D	1800	488	80	50 - 440 (570)	1	8	4181	1225	S/P
VE156E10D	1800	610	80	50 - 570 (690)	1	10	5195	1523	S/P

Stylish tall with strong efficient vertical tubular columns touch the sky of your eye sight.

HARMONICA



HARMONICA

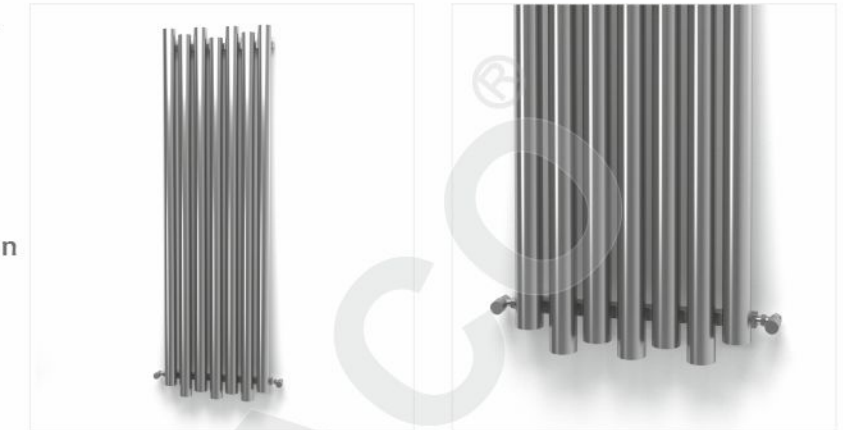
E ELECTRICAL
 V MOUNT POSITION
 O C OPEN/CLOSED SYSTEM
 10 WORKING PRESSURE
 120°C WORKING TEMP.
 10 YEARS WARRANTY

Product Name	Height (mm)	Length (mm)	Depth (mm)	C/C OF Pipes (mm)	Towel Gaps	Pipes or Sections	Heat Output (BTU/w) ΔT50		Finish S:BrushedMatt P:Polished
HA158E08A	1000	380	68	50 - 340 (470)	1	8	1279	375	S/P
HA158E10A	1000	480	68	50 - 440 (570)	1	10	1599	469	S/P
HA158E12A	1000	580	68	50 - 540 (670)	1	12	1998	586	S/P
HA158E08B	1200	380	68	50 - 340 (470)	1	8	1608	471	S/P
HA158E10B	1200	480	68	50 - 440 (570)	1	10	2010	589	S/P
HA158E12B	1200	580	68	50 - 540 (670)	1	12	2512	736	S/P
HA158E08C	1500	380	68	50 - 340 (470)	1	8	1918	562	S/P
HA158E10C	1500	480	68	50 - 440 (570)	1	10	2398	703	S/P
HA158E12C	1500	580	68	50 - 540 (670)	1	12	2998	879	S/P
HA158E08D	1800	380	68	50 - 340 (470)	1	8	2302	674	S/P
HA158E10D	1800	480	68	50 - 440 (570)	1	10	2878	843	S/P
HA158E12D	1800	580	68	50 - 540 (670)	1	12	3597	1054	S/P

Beauty in simplicity. These vertical bars generate a large amount of heat, while providing a visual and tactile delight available in brushed or polished stainless steel.

BAMBOO

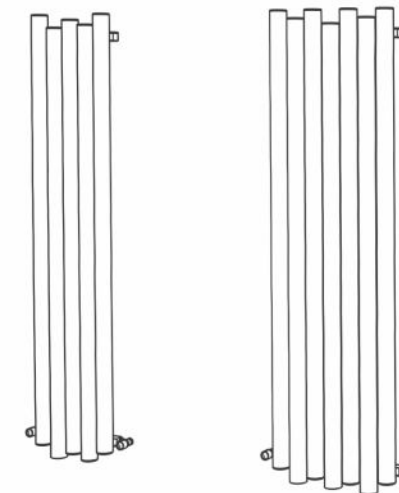
Brings the outdoors inside. This set of stainless steel bamboo shoots reaches up to the sky. Bamboo introduce a touch of Eastern promise to the room.



BAMBOO

- E ELECTRICAL
- V H MOUNT POSITION
- O C OPEN/CLOSED SYSTEM
- 10 WORKING PRESSURE
- 120°C WORKING TEMP.
- 10 YEARS WARRANTY

Product Name	Height (mm)	Length (mm)	Depth (mm)	C/C OF Pipes (mm)	Towel Gaps	Pipes or Sections	Heat Output (BTU/w) ΔT50		Finish S:BrushedMatt P:Polished
BA160E15 A	1500	385	95	465	-	5	2281	668	S/P
BA160E15 B	1500	540	95	620	-	7	3193	935	S/P
BA160E18 A	1800	385	95	465	-	5	2737	801	S/P
BA160E18 B	1800	540	95	620	-	7	3832	1121	S/P





UNIQUE

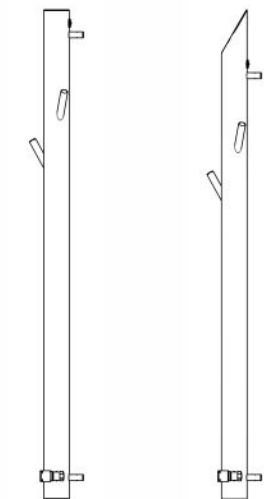
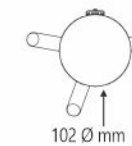
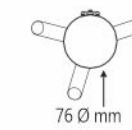
Unique design of a tree in the context of modern and contemporary architecture. Stylish warm Hanger. The way you hang towels on it, is nostalgic but creative.



UNIQUE

E ELECTRICAL
 V MOUNT POSITION
 O C OPEN/CLOSED SYSTEM
 10 WORKING PRESSURE
 120°C WORKING TEMP.
 10 YEARS WARRANTY

Product Name	Height (mm)	Length (mm)	Depth (mm)	C/C OF Pipes (mm)	Towel Gaps	Pipes or Sections	Heat Output (BTU/w) ΔT50		Finish S:BrushedMatt P:Polished
UN162E10 A	1000	76	76	170	3	1	551	161	S/P
UN162E10 B	1000	102	102	200	3	1	689	202	S/P
UN162E15 A	1500	76	76	170	3	1	827	242	S/P
UN162E15 B	1500	102	102	200	3	1	1034	303	S/P
UN162E18 A	1800	76	76	170	3	1	992	290	S/P
UN162E18 B	1800	102	102	200	3	1	1240	363	S/P





HERA

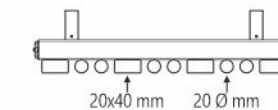
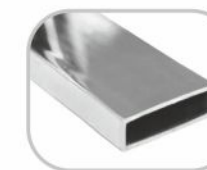
Reliable and beautiful, created from top quality materials. This slim radiator will become an invaluable part of your home in no time at all. there is a towel bar option for added. versatility.



HERA

V MOUNT POSITION
 O C OPEN/CLOSED SYSTEM
 8 WORKING PRESSURE
 120°C WORKING TEMP.
 10 YEARS WARRANTY

Product Name	Height (mm)	Length (mm)	Depth (mm)	C/C OF Pipes (mm)	Towel Gaps	Pipes or Sections	Heat Output (BTU/w) ΔT50		Finish S:BrushedMatt P:Polished
HE164E07	1000	270	50	50 - 230 (360)	-	7	1410	413	S/P
HE164E01	1000	380	50	50 - 340 (470)	-	10	1976	579	S/P
HE164E03	1000	490	50	50 - 450 (580)	-	13	2451	718	S/P
HE164E06	1000	600	50	50 - 560 (690)	-	16	3035	890	S/P
HE164E57	1500	270	50	50 - 230 (360)	-	7	2180	639	S/P
HE164E51	1500	380	50	50 - 340 (470)	-	10	2964	869	S/P
HE164E53	1500	490	50	50 - 450 (580)	-	13	3650	1070	S/P
HE164E56	1500	600	50	50 - 560 (690)	-	16	4192	1229	S/P
HE164E87	1800	270	50	50 - 230 (360)	-	7	2898	849	S/P
HE164E81	1800	380	50	50 - 340 (470)	-	10	3667	1075	S/P
HE164E83	1800	490	50	50 - 450 (580)	-	13	4657	1365	S/P
HE164E86	1800	600	50	50 - 560 (690)	-	16	5810	1703	S/P





Palm

PALM

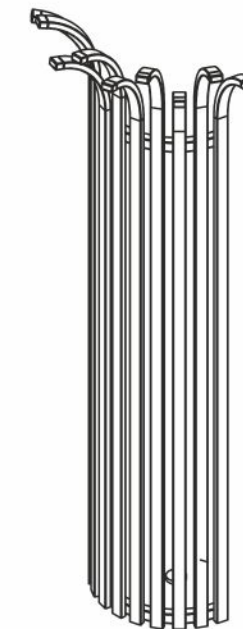
This design is larger than life. Easily heat a whole room, while built - in LED lights create an After - dark transformation. Stylish heating master piece.



PALM

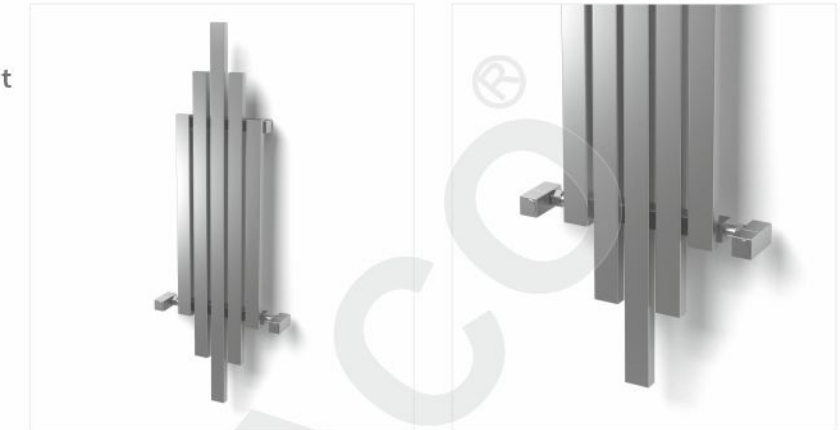
V MOUNT POSITION
 O C OPEN/CLOSED SYSTEM
 8 WORKING PRESSURE
 120°C WORKING TEMP.
 10 YEARS WARRANTY

Product Name	Height (mm)	Length (mm)	Depth (mm)	C/C OF Pipes (mm)	Towel Gaps	Pipes or Sections	Heat Output (BTU/w) ΔT50		Finish S:BrushedMatt P:Polished
PA166E10	1000	780	350	250/440	-	9	2153	631	S
PA166E15	1500	780	350	250/440	-	9	3230	947	S
PA166E18	1800	780	350	250/440	-	9	3876	1135	S



FALLING

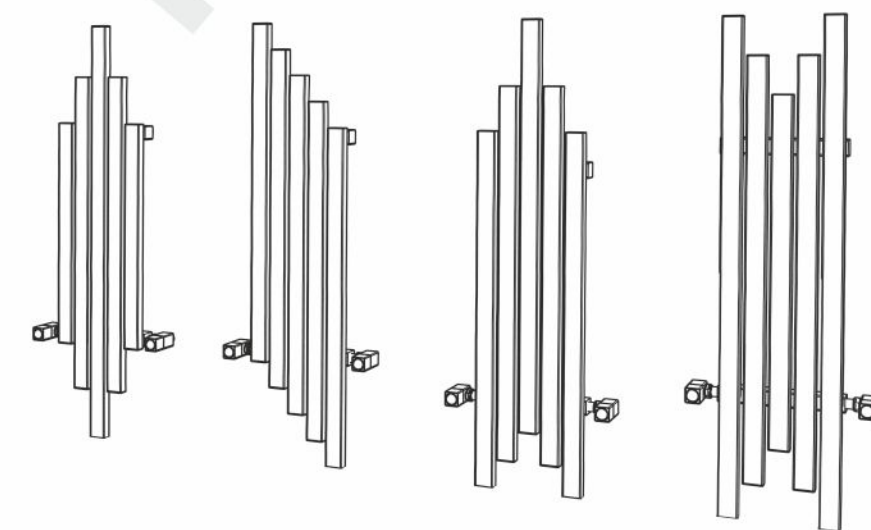
Functional and fabulous.
arranged from long to short
to show urban style falling
in modern architecture.



FALLING

V MOUNT POSITION
 O C OPEN/CLOSED SYSTEM
 8 WORKING PRESSURE
 120°C WORKING TEMP.
 10 YEARS WARRANTY

Product Name	Height (mm)	Length (mm)	Depth (mm)	C/C OF Pipes (mm)	Towel Gaps	Pipes or Sections	Heat Output (BTU/w) ΔT50	Finish S:BrushedMatt P:Polished
FA168E15	1000	250	50	340	-	5	861 253	S/P
FA168E17	1500	350	50	440	-	7	1205 354	S/P
FA168E55	1000	250	50	340	-	5	1292 379	S/P
FA168E57	1500	350	50	440	-	7	1807 531	S/P



ELEGANT

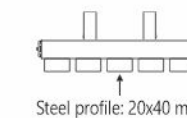
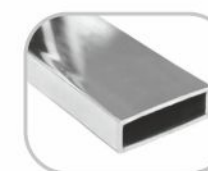


ELEGANT

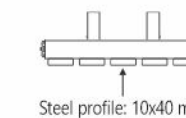
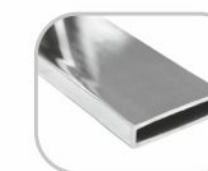
V H MOUNT POSITION
 O C OPEN/CLOSED SYSTEM
 8 WORKING PRESSURE
 120°C WORKING TEMP.
 10 YEARS WARRANTY

Product Name	Height (mm)	Length (mm)	Depth (mm)	C/C OF Pipes (mm)	Towel Gaps	Pipes or Sections	Heat Output (BTU/w) ΔT50		Finish S:BrushedMatt P:Polished
EL170E05A	1000	250	50	50 - 210 (340)	-	5	1076	316	S/P
EL170E08A	1000	400	50	50 - 360 (500)	-	8	1722	505	S/P
EL170E10A	1000	500	50	50 - 460 (590)	-	10	2153	631	S/P
EL170E15A	1000	750	50	50 - 710 (840)	-	15	3230	947	S/P
EL170E20A	1000	1000	50	50 - 960 (1090)	-	20	4307	1262	S/P
EL170E05C	1500	250	50	50 - 210 (340)	-	5	1615	473	S/P
EL170E08C	1500	400	50	50 - 360 (500)	-	8	2584	757	S/P
EL170E10C	1500	500	50	50 - 460 (590)	-	10	3230	947	S/P
EL170E15C	1500	750	50	50 - 710 (840)	-	15	4845	1420	S/P
EL170E20C	1500	1000	50	50 - 960 (1090)	-	20	6460	1894	S/P
EL170E05D	1800	250	50	50 - 210 (340)	-	5	1938	568	S/P
EL170E08D	1800	400	50	50 - 360 (500)	-	8	3101	908	S/P
EL170E10D	1800	500	50	50 - 460 (590)	-	10	3876	1135	S/P
EL170E15D	1800	750	50	50 - 710 (840)	-	15	5814	1702	S/P
EL170E20D	1800	1000	50	50 - 960 (1090)	-	20	7752	2270	S/P

Space-age sophistication. Vertical columns reach for the stars in this visually-stunning radiator that's guaranteed to banish the chill. It's out of this world.



Steel profile: 20x40 mm

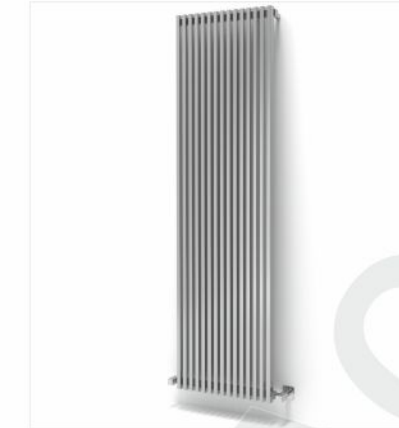


Steel profile: 10x40 mm



Waterfall

WATERFALL



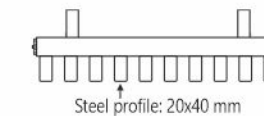
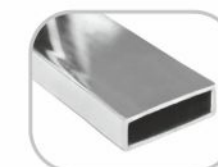
WATERFALL

V H MOUNT POSITION
 O C OPEN/CLOSED SYSTEM
 8 WORKING PRESSURE
 120°C WORKING TEMP.
 10 YEARS WARRANTY

Product Name	Height (mm)	Length (mm)	Depth (mm)	C/C OF Pipes (mm)	Towel Gaps	Pipes or Sections	Heat Output (BTU/w) ΔT50		Finish S:BrushedMatt P:Polished
WF172E10B	1000	390	70	50 - 350 (480)	-	10	2153	631	S/P
WF172E12B	1000	470	70	50 - 430 (560)	-	12	2584	757	S/P
WF172E15B	1000	590	70	50 - 550 (680)	-	15	3230	947	S/P
WF172E10C	1500	390	70	50 - 350 (480)	-	10	3230	947	S/P
WF172E12C	1500	470	70	50 - 430 (560)	-	12	3876	1136	S/P
WF172E15C	1500	590	70	50 - 550 (680)	-	15	4845	1420	S/P
WF172E10D	1800	390	70	50 - 350 (480)	-	10	3876	1135	S/P
WF172E12D	1800	470	70	50 - 430 (560)	-	12	4651	1362	S/P
WF172E15D	1800	590	70	50 - 550 (680)	-	15	5814	1702	S/P

Brings the sense of water fall but stylish and cosmopolitan version .

Install it in the hall for your guests to Admire.





MOUNTAIN

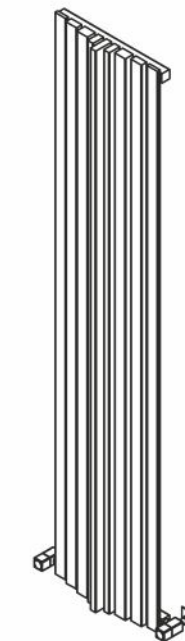
The kitchen is the hub of the home. Make it warm and cosy with this stainless steel beauty, designed to perch elegantly on the wall while emitting its welcome heat.



MOUNTAIN

E ELECTRICAL
 V H MOUNT POSITION
 O C OPEN/CLOSED SYSTEM
 8 WORKING PRESSURE
 120°C WORKING TEMP.
 10 YEARS WARRANTY

Product Name	Height (mm)	Length (mm)	Depth (mm)	C/C OF Pipes (mm)	Towel Gaps	Pipes or Sections	Heat Output (BTU/w) ΔT50		Finish S:BrushedMatt P:Polished
MO174E10	1000	410	90	50 - 360 (500)	-	9	1710	501	S/P
MO174E15	1500	410	90	50 - 360 (500)	-	9	2223	651	S/P
MO174E18	1800	410	90	50 - 360 (500)	-	9	2889	847	S/P



HONOUR

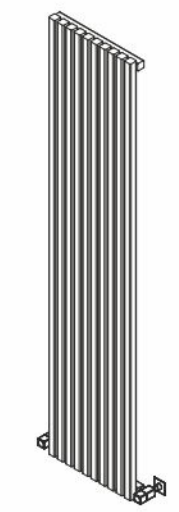
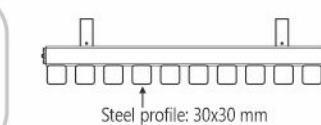
The perfect finishing touch to an ultra-modern bathroom. This slim, dynamic design will enhance everyone's favorite room and set the mood for a luxurious pampering session.



HONOUR

E ELECTRICAL
 V H MOUNT POSITION
 O C OPEN/CLOSED SYSTEM
 8 WORKING PRESSURE
 120°C WORKING TEMP.
 10 YEARS WARRANTY

Product Name	Height (mm)	Length (mm)	Depth (mm)	C/C OF Pipes (mm)	Towel Gaps	Pipes or Sections	Heat Output (BTU/w) ΔT50		Finish S:BrushedMatt P:Polished
HO176E08A	1000	350	60	50 - 310 (440)	-	8	1722	505	S/P
HO176E10A	1000	440	60	50 - 400 (530)	-	10	2153	631	S/P
HO176E13A	1000	535	60	50 - 540 (670)	-	12	2584	757	S/P
HO176E08B	1500	350	60	50 - 310 (440)	-	8	2584	757	S/P
HO176E10B	1500	440	60	50 - 400 (530)	-	10	3230	947	S/P
HO176E13B	1500	535	60	50 - 540 (670)	-	12	3876	1136	S/P
HO176E08C	1800	350	60	50 - 310 (440)	-	8	3101	908	S/P
HO176E10C	1800	440	60	50 - 400 (530)	-	10	3876	1135	S/P
HO176E13C	1800	535	60	50 - 540 (670)	-	12	4651	1362	S/P



VIRGO



VIRGO

V MOUNT POSITION
 O C OPEN/CLOSED SYSTEM
 8 WORKING PRESSURE
 120°C WORKING TEMP.
 10 YEARS WARRANTY

Product Name	Height (mm)	Length (mm)	Depth (mm)	C/C OF Pipes (mm)	Towel Gaps	Pipes or Sections	Heat Output (BTU/w) ΔT50		Finish S:BrushedMatt P:Polished
VI178E05A	1500	250	40	50 - 210 (340)	-	5	1076	316	S/P
VI178E08A	1500	400	40	50 - 360 (490)	-	8	1722	505	S/P
VI178E10A	1500	500	40	50 - 460 (590)	-	10	2153	631	S/P
VI178E12A	1500	600	40	50 - 560 (690)	-	12	3230	947	S/P
VI178E05B	1800	250	40	50 - 210 (340)	-	5	1615	473	S/P
VI178E08B	1800	400	40	50 - 360 (490)	-	8	2584	757	S/P
VI178E10B	1800	500	40	50 - 460 (590)	-	10	3230	947	S/P
VI178E12B	1800	600	40	50 - 560 (690)	-	12	4845	1420	S/P
VI178E05C	2000	250	40	50 - 210 (340)	-	5	1938	568	S/P
VI178E08C	2000	400	40	50 - 360 (490)	-	8	3101	908	S/P
VI178E10C	2000	500	40	50 - 460 (590)	-	10	3876	1135	S/P
VI178E12C	2000	600	40	50 - 560 (690)	-	12	5814	1702	S/P

Unusual elegance. A range of bold designs twisted along the entire length of the bars to reveal attractive alternating brushed and polished steel. The perfect talking point.



RIVER

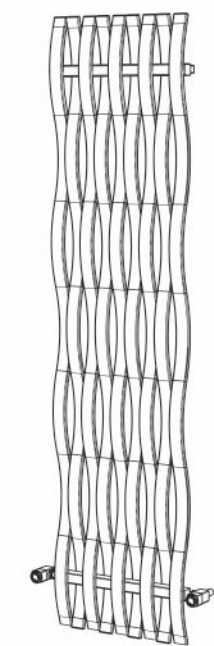
Woven loveliness. This brings a pleasing sense of order to the room. Sensuous and tactile, this gorgeous radiator will appeal to more than just one of your senses.



RIVER

V MOUNT POSITION
 O C OPEN/CLOSED SYSTEM
 8 WORKING PRESSURE
 120°C WORKING TEMP.
 10 YEARS WARRANTY

Product Name	Height (mm)	Length (mm)	Depth (mm)	C/C OF Pipes (mm)	Towel Gaps	Pipes or Sections	Heat Output (BTU/w) ΔT50		Finish S:BrushedMatt P:Polished
R1180E18	1800	450	80	540	-	9	3876	1135	S





CHARM

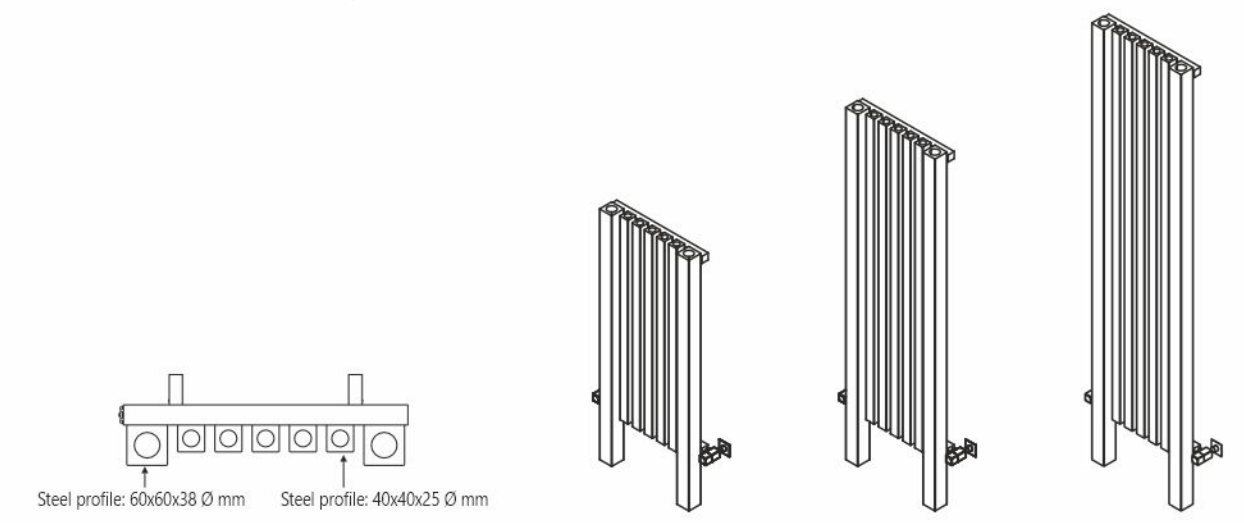
Squaring the circle. Bold Industrial appearance is surprisingly versatile. The clever combination of square sections with hollow tubular centres makes this radiator fitting in with almost any interior design theme.



CHARM

- ELECTRICAL
- MOUNT POSITION
- OPEN/CLOSED SYSTEM
- WORKING PRESSURE
- WORKING TEMP.
- WARRANTY

Product Name	Height (mm)	Length (mm)	Depth (mm)	C/C OF Pipes (mm)	Towel Gaps	Pipes or Sections	Heat Output (BTU/w) ΔT50		Finish S:BrushedMatt P:Polished
CH182E05A	1500	290	90	50 - 120 (380)	-	5	4201	1231	S/P
CH182E07A	1500	390	90	50 - 220 (480)	-	7	5080	1489	S/P
CH182E10A	1500	540	90	50 - 370 (630)	-	10	5412	1586	S/P
CH182E05B	1800	290	90	50 - 120 (380)	-	5	4470	1310	S/P
CH182E07B	1800	390	90	50 - 220 (480)	-	7	5010	1468	S/P
CH182E10B	1800	540	90	50 - 370 (630)	-	10	5501	1612	S/P





Patris PATRIS

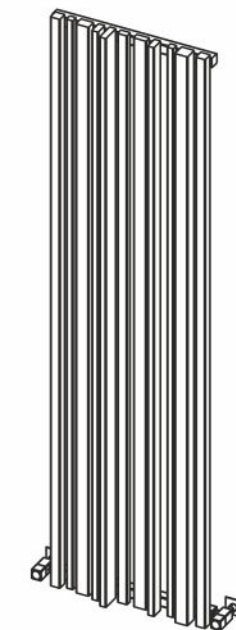
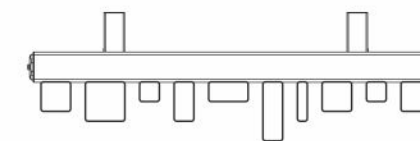
Good, old-fashioned glamour. Like the city that inspired it, this radiator is stylish and above all, cosmopolitan. Install it in the hall for your guests to admire.



PATRIS

E ELECTRICAL
 V H MOUNT POSITION
 O C OPEN/CLOSED SYSTEM
 8 WORKING PRESSURE
 120°C WORKING TEMP.
 10 YEARS WARRANTY

Product Name	Height (mm)	Length (mm)	Depth (mm)	C/C OF Pipes (mm)	Towel Gaps	Pipes or Sections	Heat Output (BTU/w) ΔT50		Finish S:BrushedMatt P:Polished
PA184E10	1000	410	90	50 - 370 (500)	-	10	1908	559	S
PA184E15	1500	410	90	50 - 370 (500)	-	10	2302	675	S
PA184E18	1800	410	90	50 - 370 (500)	-	10	2614	766	S





SHOWER

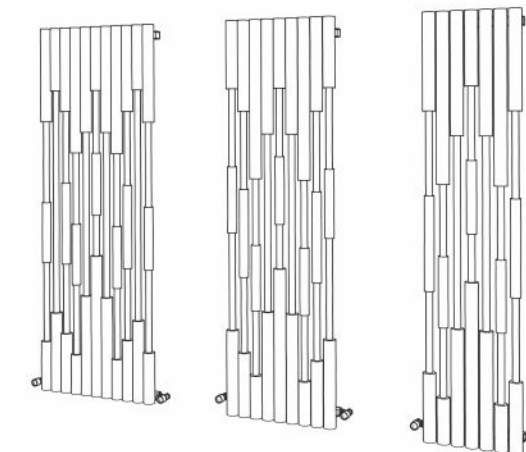
Timeless beauty of using thick and thin stainless steel heat bars to show an efficient cascade that warm your room, dry your towels and attract the eyes.



SHOWER

E ELECTRICAL
 V MOUNT POSITION
 O C OPEN/CLOSED SYSTEM
 10 WORKING PRESSURE
 120°C WORKING TEMP.
 10 YEARS WARRANTY

Product Name	Height (mm)	Length (mm)	Depth (mm)	C/C OF Pipes (mm)	Towel Gaps	Pipes or Sections	Heat Output (BTU/w) ΔT50		Finish S:BrushedMatt P:Polished
SH186E24	1200	420	80	50 - 380 (500)	-	7	1790	525	S/P
SH186E25	1200	550	80	50 - 500 (630)	-	9	2302	674	S/P
SH186E26	1200	670	80	50 - 630 (750)	-	11	2814	824	S/P
SH186E54	1500	420	80	50 - 380 (500)	-	7	2238	656	S/P
SH186E55	1500	550	80	50 - 500 (630)	-	9	2878	843	S/P
SH186E56	1500	670	80	50 - 630 (750)	-	11	3517	1030	S/P
SH186E84	1800	420	80	50 - 380 (500)	-	7	2685	787	S/P
SH186E85	1800	550	80	50 - 500 (630)	-	9	3453	1012	S/P
SH186E86	1800	670	80	50 - 630 (750)	-	11	4220	1236	S/P



CUBE LEO

Special modern design. perfect for modern style architecture. this heat source can complete other contemporary elements in your room.



CUBE LEO

E ELECTRICAL
V MOUNT POSITION
O C OPEN/CLOSED SYSTEM
10 WORKING PRESSURE
120°C WORKING TEMP.
10 YEARS WARRANTY

Product Name	Height (mm)	Length (mm)	Depth (mm)	C/C OF Pipes (mm)	Towel Gaps	Pipes or Sections	Heat Output (BTU/w) ΔT50		Finish S:BrushedMatt P:Polished
CL188E11	1100	280	60	50 - 240	-	1	1076	316	S/P
CL188E15	1500	280	60	50 - 240	-	1	1399	411	S/P





LEO

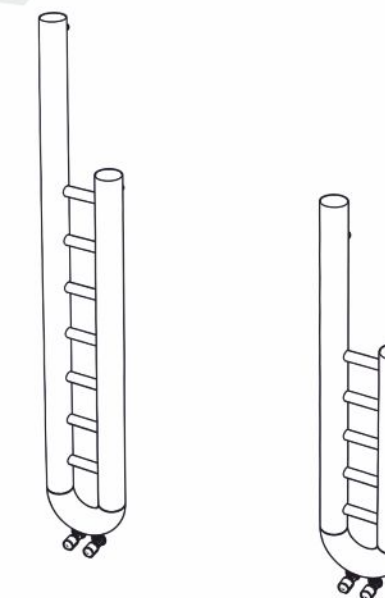
Striking, strong tubular heat source. special design incorporate in to any architecture style specially classic and neo classic ones.



LEO

E ELECTRICAL
 V MOUNT POSITION
 O C OPEN/CLOSED SYSTEM
 12 WORKING PRESSURE
 120°C WORKING TEMP.
 10 YEARS WARRANTY

Product Name	Height (mm)	Length (mm)	Depth (mm)	C/C OF Pipes (mm)	Towel Gaps	Pipes or Sections	Heat Output (BTU/w) ΔT50		Finish S:BrushedMatt P:Polished
LE190E11	1100	255	76	70 - 250	5	8	1100	322	P
LE190E15	1500	255	76	70 - 250	8	11	1555	456	P





DELTA

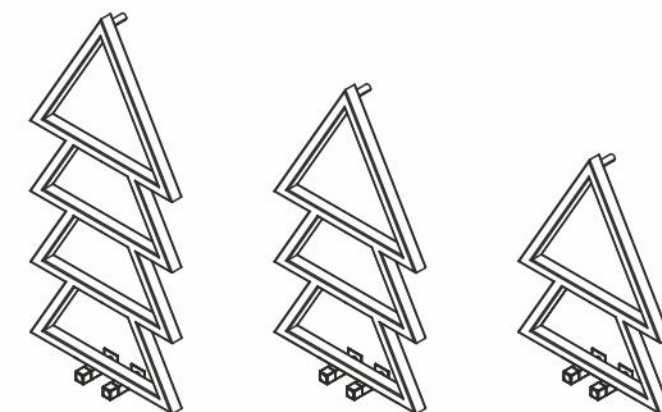
A dramatic triangular heat source. this will be the undisputed point of any bathroom.



DELTA

V MOUNT POSITION
 O C OPEN/CLOSED SYSTEM
 8 WORKING PRESSURE
 120°C WORKING TEMP.
 20 YEARS WARRANTY

Product Name	Height (mm)	Length (mm)	Depth (mm)	C/C OF Pipes (mm)	Towel Gaps	Pipes or Sections	Heat Output (BTU/w) ΔT50		Finish S:BrushedMatt P:Polished
DE192E07	700	550	30	50 - 500	2	2	603	177	S/P
DE192E10	930	550	30	50 - 500	3	3	904	266	S/P
DE192E12	1170	550	30	50 - 500	4	4	1205	354	S/P





Tear

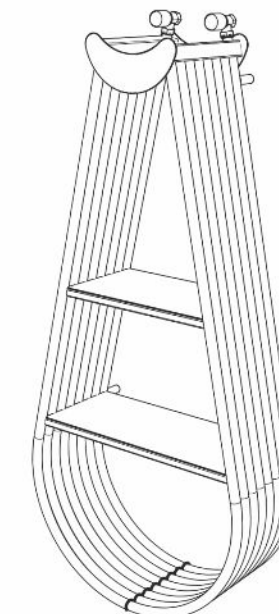
Specially designed for connoisseurs. The miracle of teardrop shaped tubular heating bars while it accomodates two beautiful functional shelves.



TEAR

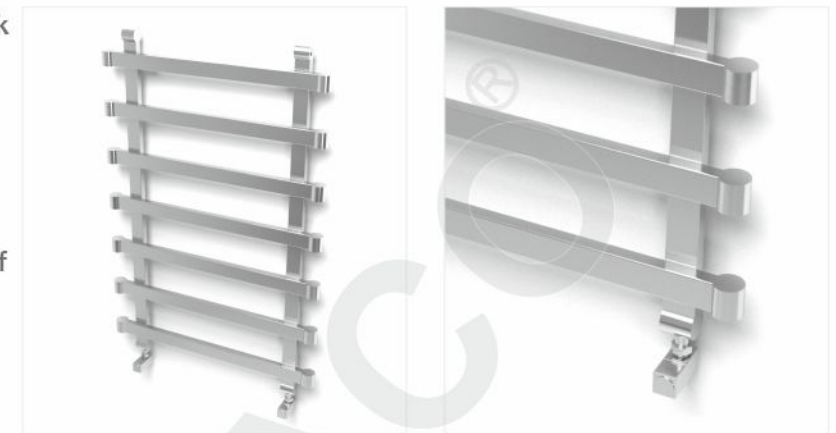
V MOUNT POSITION
 O C OPEN/CLOSED SYSTEM
 8 WORKING PRESSURE
 120°C WORKING TEMP.
 20 YEARS WARRANTY

Product Name	Height (mm)	Length (mm)	Depth (mm)	C/C OF Pipes (mm)	Towel Gaps	Pipes or Sections	Heat Output (BTU/w) ΔT50	Finish S:BrushedMatt P:Polished
TE194E12	1200	550	230	140	3	8	2821 722	P



Ara

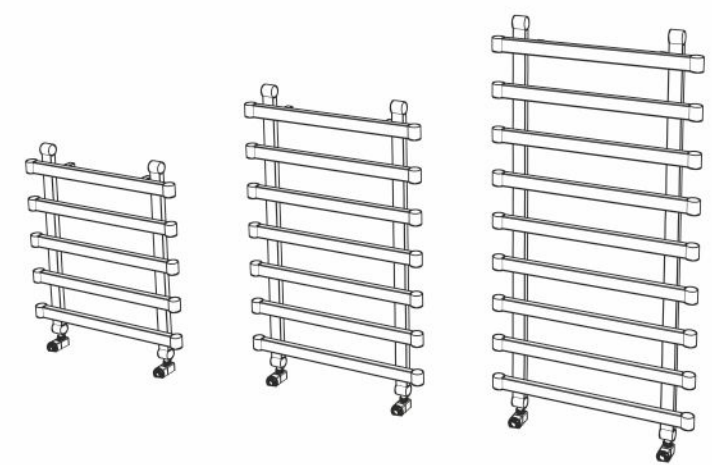
Powerfull and practical look of a standard towel dryer. Designed to assures us that there is no danger for our beloved children Because of the rounded edges.



ARA

- V MOUNT POSITION
- O C OPEN/CLOSED SYSTEM
- 8 WORKING PRESSURE
- 120°C WORKING TEMP.
- 10 YEARS WARRANTY

Product Name	Height (mm)	Length (mm)	Depth (mm)	C/C OF Pipes (mm)	Towel Gaps	Pipes or Sections	Heat Output (BTU/w) ΔT50	Finish C: Color	
AR196E07	730	670	60	60 - 500	5	7	777	228	C
AR196E10	1000	670	60	60 - 500	7	9	1088	320	C
AR196E13	1300	670	60	60 - 500	9	11	1399	411	C



VIGOUR

This towel rail provides a simple way to keep towels warm while you're in the bath.

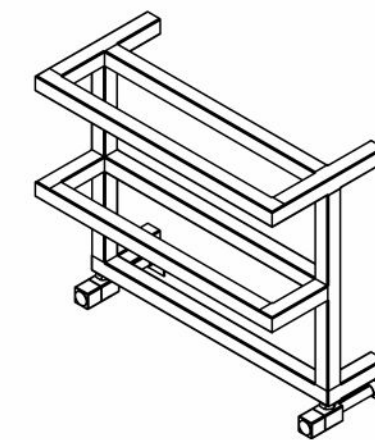
Plenty of room to hang them; plenty of style to frame them beautifully.



VIGOUR

E ELECTRICAL
 V MOUNT POSITION
 O C OPEN/CLOSED SYSTEM
 10 WORKING PRESSURE
 120°C WORKING TEMP.
 10 YEARS WARRANTY

Product Name	Height (mm)	Length (mm)	Depth (mm)	C/C OF Pipes (mm)	Towel Gaps	Pipes or Sections	Heat Output (BTU/w) ΔT50		Finish S:BrushedMatt P:Polished
VI198E04	440	540	250	50 - 500	2	5	1076	316	S



STAINLESS STEEL : FLAWLESS FINISH

WHY CHOOSE STAINLESS STEEL FOR DOMESTIC HEATING SYSTEMS? BECAUSE ITS PROPERTIES ARE IDEAL FOR CREATING LONG-LASTING, HIGHLY EFFECTIVE, BEAUTIFUL RADIATORS AND HEATED TOWEL RAILS.

WHY CHOOSE RADIACO'S STAINLESS STEEL? BECAUSE WE MAKE SURE WE USE TOP QUALITY GRADES THAT ENSURE THE LONGEST LIFE POSSIBLE FOR OUR RANGE OF PRODUCTS.

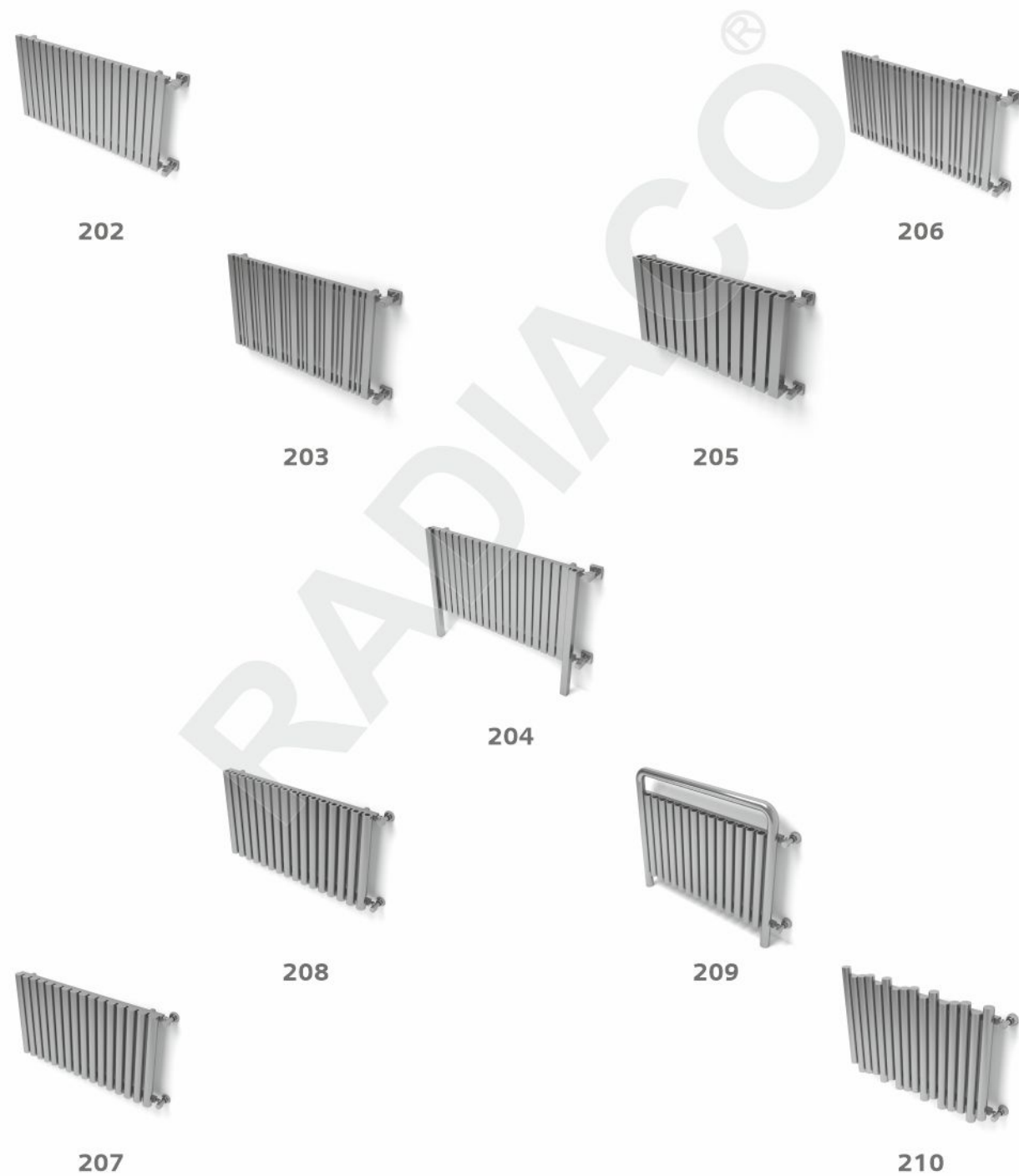
STAINLESS STEEL IS NON-CORROSIVE, EASILY MAINTAINED, HYGIENIC AND VERSATILE. IT IS STRONG AND DURABLE, THUS RESISTING PEELING, FLAKING AND DISCOLOURATION. THE INEVITABLE MINOR SCRATCHES, DIRT AND MARKS THAT COME WITH DAY-TO-DAY LIVING COULD BE EASILY ELIMINATED. WHAT'S MORE, STAINLESS STEEL IS ALWAYS FASHIONABLE, WITH ITS CONTEMPORARY, SLEEK APPEARANCE AND SENSUOUS FEEL.

Radiator



ELEGANT PLUS	202
HERA PLUS	203
CHARM PLUS	204
HERCUL PLUS	205
MARS PLUS	206
HARMONICA PLUS	207
VENUS PLUS	208
TITAN PLUS	209
BAMBOO PLUS	210

RADIACO®



RADIACO®

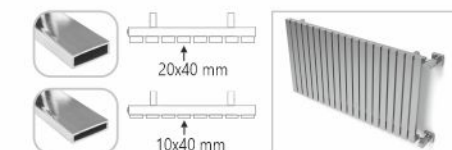
ELEGANT PLUS

ELEGANT PLUS

V H MOUNT POSITION
 O C OPEN/CLOSED SYSTEM
 8 WORKING PRESSURE
 120°C WORKING TEMP.
 10 YEARS WARRANTY

Product Name	Height (mm)	Length (mm)	Depth (mm)	C/C OF Pipes (mm)	Pipes or Sections	Heat Output (BTU/w) ΔT50	Finish S:BrushedMatt P:Polished	
EP202R08	540	400	50	500	8	904	266	S/P
EP202R12	540	600	50	500	12	1356	399	S/P
EP202R16	540	800	50	500	16	1808	532	S/P
EP202R20	540	1000	50	500	20	2260	665	S/P
EP202R24	540	1200	50	500	24	2712	798	S/P
EP202R28	540	1400	50	500	28	3164	931	S/P
EP202R32	540	1600	50	500	32	3616	1064	S/P
EP202R36	540	1800	50	500	36	4068	1197	S/P
EP202R40	540	2000	50	500	40	4520	1330	S/P

Hung on the wall without Any column. this is a radiator but more stylish and more decorative.





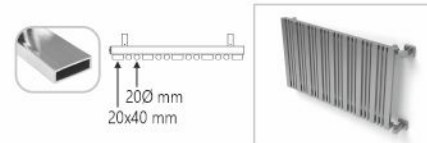
HERA PLUS

HERA PLUS

V H MOUNT POSITION
 O C OPEN/CLOSED SYSTEM
 8 WORKING PRESSURE
 120°C WORKING TEMP.
 10 YEARS WARRANTY

Product Name	Height (mm)	Length (mm)	Depth (mm)	C/C OF Pipes (mm)	Pipes or Sections	Heat Output (BTU/w) ΔT50		Finish S:BrushedMatt P:Polished
HE203R13	540	490	50	500	13	1356	399	S/P
HE203R19	540	710	50	500	19	1982	583	S/P
HE203R25	540	930	50	500	25	2712	798	S/P
HE203R31	540	1150	50	500	31	3234	951	S/P
HE203R37	540	1370	50	500	37	3859	1135	S/P

Combination of round and cubic stainless steel columns cleverly designed to enhance any room of the house. Can be match with tall Hera in different rooms.



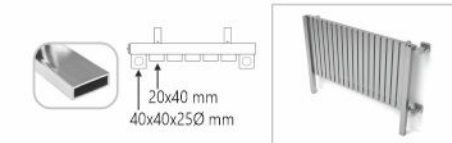
CHARM PLUS

CHARM PLUS

H MOUNT POSITION
 O C OPEN/CLOSED SYSTEM
 8 WORKING PRESSURE
 120°C WORKING TEMP.
 10 YEARS WARRANTY

Product Name	Height (mm)	Length (mm)	Depth (mm)	C/C OF Pipes (mm)	Pipes or Sections	Heat Output (BTU/w) ΔT50		Finish S:BrushedMatt P:Polished
CHP204R08	750	400	70	500	8	1076	316	S/P
CHP204R12	750	600	70	500	12	1614	474	S/P
CHP204R16	750	800	70	500	16	2152	632	S/P
CHP204R20	750	1000	70	500	20	2690	790	S/P
CHP204R24	750	1200	70	500	24	3228	948	S/P
CHP204R28	750	1400	70	500	28	3766	1106	S/P
CHP204R32	750	1600	70	500	32	4304	1264	S/P
CHP204R36	750	1800	70	500	36	4842	1422	S/P
CHP204R40	750	2000	70	500	40	5380	1580	S/P

Discretion meets elegance. Practicality meets style. About 10 different sizes for total versatility, with a heat kick that belies its subtle appearance. Ideal for when wall space is at a premium.



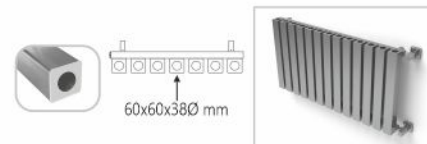


HERCUL PLUS

V H MOUNT POSITION O C OPEN/CLOSED SYSTEM 8 WORKING PRESSURE 120°C WORKING TEMP. 10 YEARS WARRANTY

Product Name	Height (mm)	Length (mm)	Depth (mm)	C/C OF Pipes (mm)	Pipes or Sections	Heat Output (BTU/w) ΔT50		Finish S:BrushedMatt P:Polished
HE205R07	540	550	90	500	7	1605	470	S/P
HE205R10	540	790	90	500	10	2292	671	S/P
HE205R13	540	1030	90	500	13	2980	872	S/P
HE205R16	540	1270	90	500	16	3668	1074	S/P

Round heating steel tubes surrounded by strong muscular cubic columns make double warming stylish radiator whose message is: "I am enough for you".

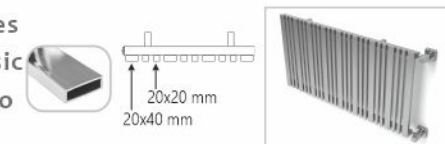


MARS PLUS

V H MOUNT POSITION O C OPEN/CLOSED SYSTEM 8 WORKING PRESSURE 120°C WORKING TEMP. 10 YEARS WARRANTY

Product Name	Height (mm)	Length (mm)	Depth (mm)	C/C OF Pipes (mm)	Pipes or Sections	Heat Output (BTU/w) ΔT50		Finish S:BrushedMatt P:Polished
MA206R13	540	550	50	500	13	1356	399	S/P
MA206R19	540	800	50	500	19	1982	583	S/P
MA206R25	540	1050	50	500	25	2712	798	S/P
MA206R31	540	1300	50	500	31	3234	951	S/P
MA206R37	540	2050	50	500	37	3859	1135	S/P

Subtle luxury. Using different aspects of columns belies an easy elegance and versatile performance. This classic radiator will enhance any room of the house-no need to banish it to the kitchen or bathroom.





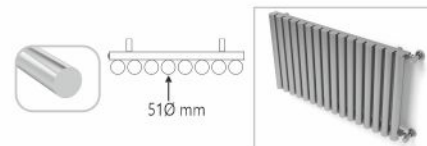
HARMONICA PLUS

HARMONICA PLUS

V H MOUNT POSITION
 O C OPEN/CLOSED SYSTEM
 8 WORKING PRESSURE
 120°C WORKING TEMP.
 10 YEARS WARRANTY

Product Name	Height (mm)	Length (mm)	Depth (mm)	C/C OF Pipes (mm)	Pipes or Sections	Heat Output (BTU/w) ΔT50		Finish S:BrushedMatt P:Polished
HP207R08	540	490	81	500	8	1076	316	S/P
HP207R12	540	730	81	500	12	1614	474	S/P
HP207R16	540	980	81	500	16	2152	632	S/P
HP207R20	540	1220	81	500	20	2690	790	S/P

Single tubular columns refine your room. Ethereal elegance meets stylish stainless steel to make your place a better one.



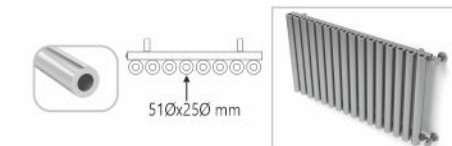
VENUS PLUS

VENUS PLUS

V H MOUNT POSITION
 O C OPEN/CLOSED SYSTEM
 8 WORKING PRESSURE
 120°C WORKING TEMP.
 10 YEARS WARRANTY

Product Name	Height (mm)	Length (mm)	Depth (mm)	C/C OF Pipes (mm)	Pipes or Sections	Heat Output (BTU/w) ΔT50		Finish S:BrushedMatt P:Polished
VP208R16	540	490	81	500	8x2	1453	427	S/P
VP208R24	540	730	81	500	12x2	2179	640	S/P
VP208R32	540	980	81	500	16x2	2905	853	S/P
VP208R40	540	1220	81	500	20x2	3631	1066	S/P

This is no illusion. The cleverly Designed double tubular columns appear to hang in the air, while the heat generated is nothing short of miraculous.



RADIACO®



TITAN PLUS

TITAN PLUS

H MOUNT POSITION
 O C OPEN/CLOSED SYSTEM
 8 WORKING PRESSURE
 120°C WORKING TEMP.
 10 YEARS WARRANTY

Product Name	Height (mm)	Length (mm)	Depth (mm)	C/C OF Pipes (mm)	Pipes or Sections	Heat Output (BTU/w) ΔT50		Finish S:BrushedMatt P:Polished
TI209R08	830	490	81	500	8	1650	484	P
TI209R12	830	730	81	500	12	2720	797	P
TI209R16	830	980	81	500	16	3720	1090	P
TI209R20	830	1220	81	500	20	4200	1231	P

Strong and sturdy. Echoing the powerful era of ancient Greece for which it is named. What You might call a



Radiaco210 | BAMBOO PLUS

RADIACO®



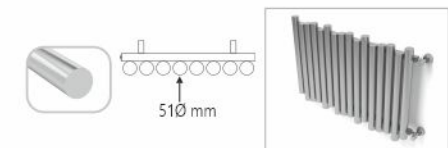
BAMBOO PLUS

BAMBOO PLUS

V H MOUNT POSITION
 O C OPEN/CLOSED SYSTEM
 8 WORKING PRESSURE
 120°C WORKING TEMP.
 10 YEARS WARRANTY

Product Name	Height (mm)	Length (mm)	Depth (mm)	C/C OF Pipes (mm)	Pipes or Sections	Heat Output (BTU/w) ΔT50		Finish S:BrushedMatt P:Polished
BA210R06	650	675	81	500	11	1614	474	P
BA210R10	650	980	81	500	16	2348	689	P

Muscular round steel columns irregularly stands together reminds bambo fences around a garden full of beautiful flowers.



BATHING BEAUTIES

IT HAS BEEN A LONG TIME SINCE PEOPLE WENT TO THE PUBLIC BATH ONCE A WEEK. NOW AFTER THAT, THE BATHROOM IS PART OF OUR HOUSE AND BEYOND THAT PART OF OUR BEDROOMS. OUR BATHROOMS ARE NOW OUR SANCTUARIES, WHERE WE FRESHEN UP FOR THE DAY AHEAD, OR RELAX IN HEATED LUXURY AFTER THE WORK IS DONE. AS SUCH, WE ARE PAYING MORE ATTENTION TO THEIR DESIGN THAN EVER BEFORE.

A GORGEOUS BATHROOM CAN SELL A HOUSE AND REPAIR A FRACTIOUS MOOD. SO IT NEEDS TO BE BEAUTIFUL, CALMING AND ABOVE ALL, INVITING.

WHICH MEANS IT NEEDS IT BE WARM. THE RIGHT HEATING SYSTEM CAN MAKE YOUR BATHROOM THE CLOSEST THING TO PARADISE ON EARTH.

Pattern

PATTERN



LOGO	214
LYON	215
ACTION	216
DIJON	217
CALLIGRAM	218
FLOW	219
BODY SHAPE	220
NICE	221
FEATHER	222

RADIACO®



214



215



217



218



216



220



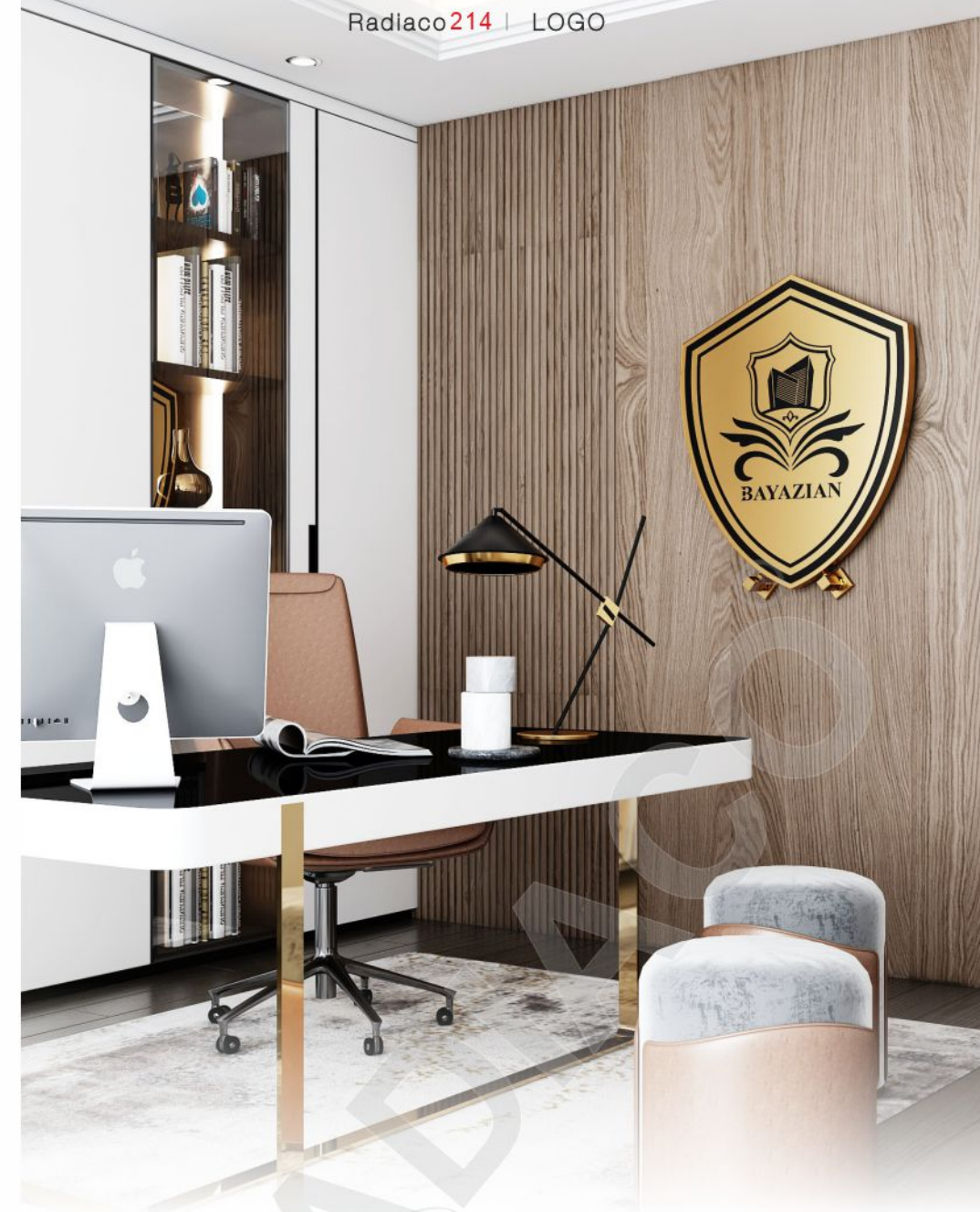
221



222



219



RADIACO®

LOGO

LOGO

E ELECTRICAL
 V H MOUNT POSITION
 O C OPEN/CLOSED SYSTEM
 8 WORKING PRESSURE
 120°C WORKING TEMP.
 5 YEARS WARRANTY

Product Name	Height (mm)	Length (mm)	Depth (mm)	C/C OF Pipes (mm)	Towel Gaps	Pipes or Sections	Heat Output (BTU/w) ΔT50	Finish
LO214P11	630	500	30	50 - 550	-	-	355 104	S:BrushedMatt P:Polished

No limits. you can turn everything in to a radiator. we make your dreams come true your business logo or the shape of the moon or even a dolphin floating in the bath!





LYON

LYON

E ELECTRICAL
 V MOUNT POSITION
 O C OPEN/CLOSED SYSTEM
 8 WORKING PRESSURE
 120°C WORKING TEMP.
 5 YEARS WARRANTY

Product Name	Height (mm)	Length (mm)	Depth (mm)	C/C OF Pipes (mm)	Pipes or Sections	Heat Output (BTU/w) ΔT50		Finish S:BrushedMatt P:Polished
LY215P13	1300	500	30	70-410	-	1063	312	S

An abstract design of a privileged beauty. some places for hanging towels in a special modern way. A memorable design.



ACTION

ACTION

E ELECTRICAL
 V H MOUNT POSITION
 O C OPEN/CLOSED SYSTEM
 8 WORKING PRESSURE
 120°C WORKING TEMP.
 5 YEARS WARRANTY

Product Name	Height (mm)	Length (mm)	Depth (mm)	C/C OF Pipes (mm)	Pipes or Sections	Heat Output (BTU/w) ΔT50		Finish S:BrushedMatt P:Polished
AC214P12	1200	540	95	50 - 500	-	1356	399	S/P
AC214P18	1800	540	95	50 - 500	-	2034	598	S/P

Stuning italian design radiator full of perfect details. Enjoy the magic of glory and beauty of this special vertu.





DIJON

DIJON E V O C 8 120°C 5 YEARS
 ELECTRICAL MOUNT POSITION OPEN/CLOSED SYSTEM WORKING PRESSURE WORKING TEMP. WARRANTY

Product Name	Height (mm)	Length (mm)	Depth (mm)	C/C OF Pipes (mm)	Pipes or Sections	Heat Output (BTU/w) ΔT50	Finish S:BrushedMatt P:Polished
DI217P15	1500	540	170	50 - 500	-	1063 312	S

A noble modern design. you can decorate the towels on the warm shelf , while an engineered towel hanger is the belt of this impressive and beautiful dress on your wall.



CALLIGRAM

CALLIGRAM E V H O C 8 120°C 5 YEARS
 ELECTRICAL MOUNT POSITION OPEN/CLOSED SYSTEM WORKING PRESSURE WORKING TEMP. WARRANTY

Product Name	Height (mm)	Length (mm)	Depth (mm)	C/C OF Pipes (mm)	Pipes or Sections	Heat Output (BTU/w) ΔT50	Finish S:BrushedMatt P:Polished
CA218P12	1200	540	60	50 - 500	-	1356 399	S/P
CA218P18	1800	540	60	50 - 500	-	2034 598	S/P

A truly bespoke radiator. The design Possibilities are endless from any sketch to any words with favorite alphabets or a conceptual design.



RADIACO®

Radiaco219 | FLOW

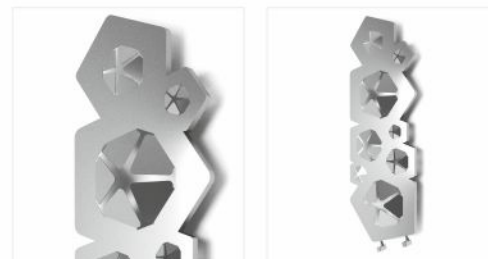


FLOW

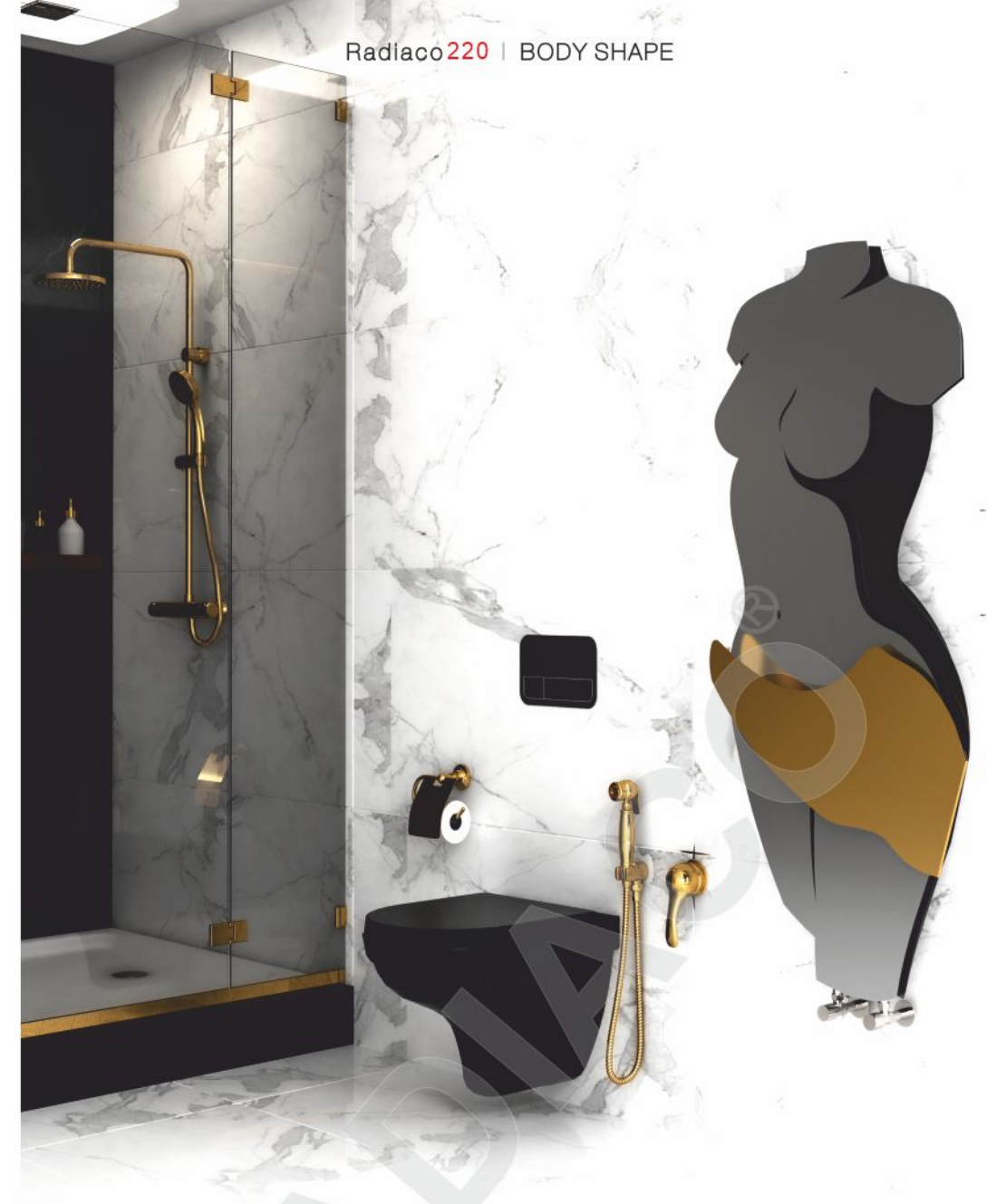
E ELECTRICAL
 V H MOUNT POSITION
 O C OPEN/CLOSED SYSTEM
 8 WORKING PRESSURE
 120°C WORKING TEMP.
 5 YEARS WARRANTY

Product Name	Height (mm)	Length (mm)	Depth (mm)	C/C OF Pipes (mm)	Pipes or Sections	Heat Output (BTU/w) ΔT50		Finish S:BrushedMatt P:Polished
FL219P15	1500	500	30	60-200	-	924	271	S

It exists to shine , be distinguished and eye catching. The crystallization of a beautiful feeling in your environment. the most charming and attractive difference.



Radiaco220 | BODY SHAPE



BODY SHAPE

E ELECTRICAL
 V MOUNT POSITION
 O C OPEN/CLOSED SYSTEM
 8 WORKING PRESSURE
 120°C WORKING TEMP.
 5 YEARS WARRANTY

Product Name	Height (mm)	Length (mm)	Depth (mm)	C/C OF Pipes (mm)	Pipes or Sections	Heat Output (BTU/w) ΔT50		Finish S:BrushedMatt P:Polished
BSH220P14	1400	500	60	-	-	904	266	S

Sculptural heating. You can not take your eyes off this perfect accessory, every time you enter the bathroom.



RADIACO®



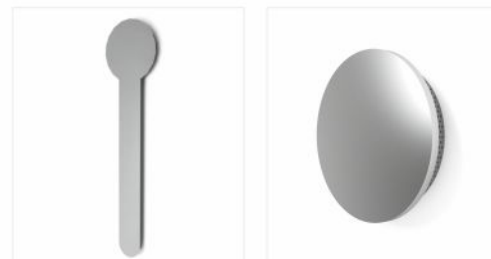
NICE

NICE

E ELECTRICAL
 V H MOUNT POSITION
 O C OPEN/CLOSED SYSTEM
 8 WORKING PRESSURE
 120°C WORKING TEMP.
 5 YEARS WARRANTY

Product Name	Height (mm)	Length (mm)	Depth (mm)	C/C OF Pipes (mm)	Pipes or Sections	Heat Output (BTU/w) $\Delta T50$		Finish S:BrushedMatt P:Polished
NI221P04	400	400	60	50 - 500	-	305	104	S
NI225P13	1350	350	50	160	-	305	104	S

Nice la belle , pioneer but simple and attractive. Other manner to dry towels. two different designs with round pure parts.



FEATHER

FEATHER

E ELECTRICAL
 V MOUNT POSITION
 O C OPEN/CLOSED SYSTEM
 8 WORKING PRESSURE
 120°C WORKING TEMP.
 5 YEARS WARRANTY

Product Name	Height (mm)	Length (mm)	Depth (mm)	C/C OF Pipes (mm)	Pipes or Sections	Heat Output (BTU/w) $\Delta T50$		Finish S:BrushedMatt P:Polished
FE222P14	1400	440	30	-	-	777	228	S

Revival of retro classic radiators in stylish innovative designs. An unbelievable flashy romantic heating.





Roodkhan Castle, Gilan

Wood

WOOD



W-STEP	226
W-IRIS	228
W-KYLIE	230
W-FENCE	232
W-ORBITAL	234



W-STEP

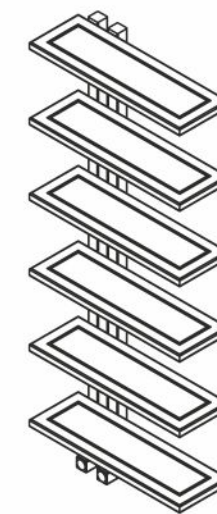
Style your towels like a boutique. Feel calm and relief with wooden Steps. Stainless steel bars around that warm your designed towels.



W-STEP

E ELECTRICAL
 V MOUNT POSITION
 O C OPEN/CLOSED SYSTEM
 8 WORKING PRESSURE
 120°C WORKING TEMP.
 2 YEARS WARRANTY

Product Name	Height (mm)	Length (mm)	Depth (mm)	C/C OF Pipes (mm)	Towel Gaps	Pipes or Sections	Heat Output (BTU/w) ΔT50	Finish S:BrushedMatt P:Polished
WS226W11	1130	460	160	60	6	6	1356 399	S/P



W-IRIS

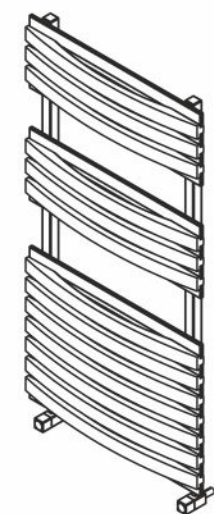
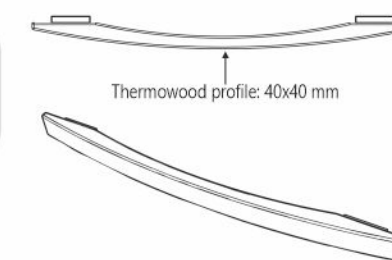
Smooth thermo wood panel of a High-Performance towel rail. Would you like to touch and feel the heat?

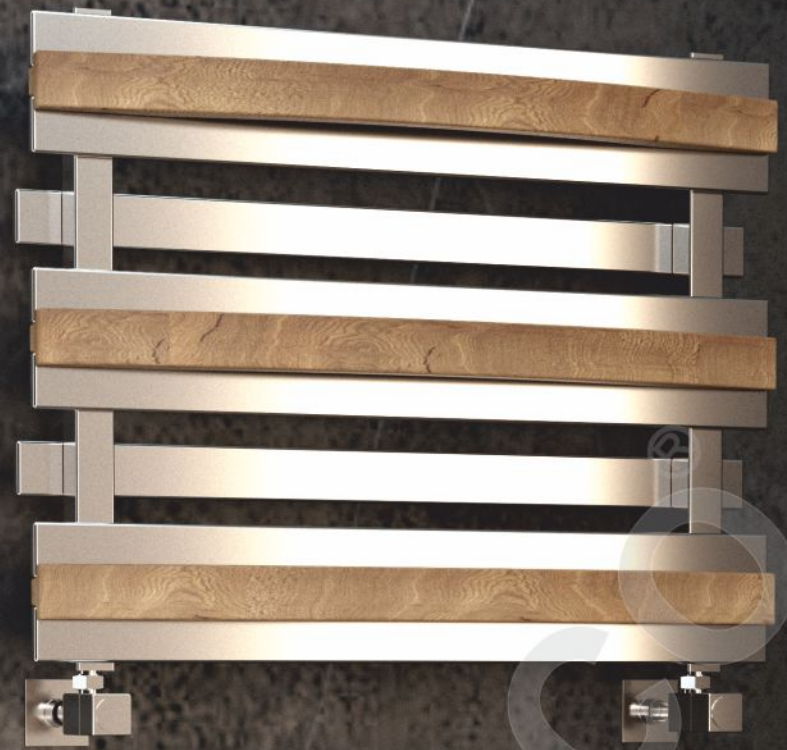


W-IRIS

E ELECTRICAL
 V MOUNT POSITION
 O C OPEN/CLOSED SYSTEM
 8 WORKING PRESSURE
 120°C WORKING TEMP.
 2 YEARS WARRANTY

Product Name	Height (mm)	Length (mm)	Depth (mm)	C/C OF Pipes (mm)	Towel Gaps	Pipes or Sections	Heat Output (BTU/w) ΔT50	Finish S:BrushedMatt P:Polished
WI228W07	650	600	90	500	1	9	1190 347	S/P
WI228W09	860	600	90	500	2	12	1591 466	S/P
WI228W10	1030	600	90	500	2	15	1903 558	S/P
WI228W14	1350	600	90	500	3	19	2351 689	S/P





W-KYLIE

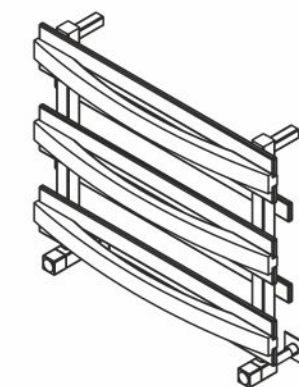
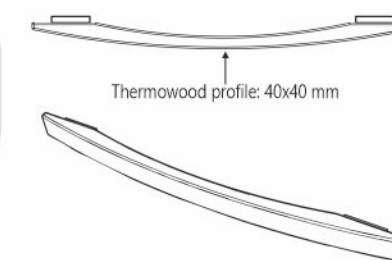
Co-ordinating beautifully with wood, This stainless steel towel rail offers enough spaces to keep towels warm.



W-KYLIE

E ELECTRICAL
 V MOUNT POSITION
 O C OPEN/CLOSED SYSTEM
 8 WORKING PRESSURE
 120°C WORKING TEMP.
 2 YEARS WARRANTY

Product Name	Height (mm)	Length (mm)	Depth (mm)	C/C OF Pipes (mm)	Towel Gaps	Pipes or Sections	Heat Output (BTU/w) ΔT50		Finish S:BrushedMatt P:Polished
WK230W05	470	600	100	500	2	8	1190	347	S/P
WK230W08	830	600	100	500	4	11	1591	466	S/P





W-FENCE

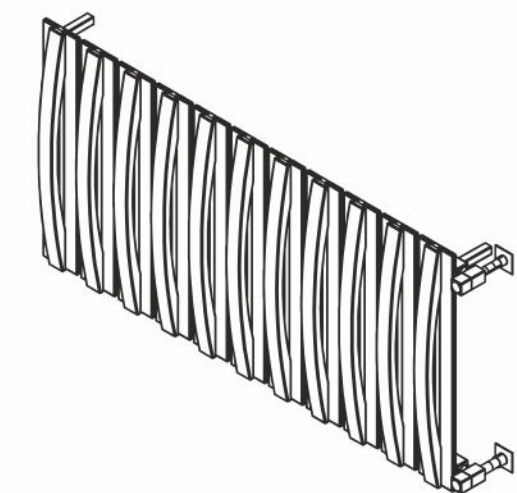
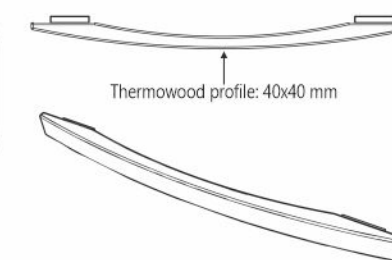
The clever combination of wood and stainless-steel, this radiator incorporate in to rustic design. An attractive way to keep out the cold.



W-FENCE

E ELECTRICAL
 V H MOUNT POSITION
 O C OPEN/CLOSED SYSTEM
 8 WORKING PRESSURE
 120°C WORKING TEMP.
 2 YEARS WARRANTY

Product Name	Height (mm)	Length (mm)	Depth (mm)	C/C OF Pipes (mm)	Pipes or Sections	Heat Output (BTU/w) ΔT50		Finish S:BrushedMatt P:Polished
WF232W08	600	450	90	500	8	1190	347	S/P
WF232W12	600	670	90	500	12	1591	466	S/P
WF232W16	600	890	90	500	16	2121	621	S/P
WF232W20	600	1110	90	500	20	2651	776	S/P
WF232W24	600	1320	90	500	24	3181	931	S/P





W-ORBITAL

Functional and fabulous. Great shelf for towels. Perfect for fun lovers. More charming and cosy with wooden floors.



W-ORBITAL

V MOUNT POSITION
 O C OPEN/CLOSED SYSTEM
 10 WORKING PRESSURE
 120°C WORKING TEMP.
 2 YEARS WARRANTY

Product Name	Height (mm)	Length (mm)	Depth (mm)	C/C OF Pipes (mm)	Towel Gaps	Pipes or Sections	Heat Output (BTU/w) ΔT50		Finish S:BrushedMatt P:Polished
WO234W12	1200	600	300	60 - 500	3	3	1088	320	P
WO234W16	1600	600	300	60 - 500	4	4	1451	427	P





Golestan palace, Tehran

Glass

GLASS



GALLANT	238
SCALES	240
BARISTA	242
VISARD	244
SKY	246
ZEUS	248



GALLANT

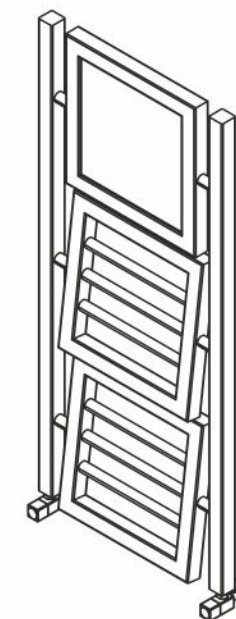
The world of heat sources in one. noteworthy details co-operate substantial appearance along with the choice of using glass or stone in the first square.



GALLANT

E ELECTRICAL
 V MOUNT POSITION
 O C OPEN/CLOSED SYSTEM
 8 WORKING PRESSURE
 120°C WORKING TEMP.
 3 YEARS WARRANTY

Product Name	Height (mm)	Length (mm)	Depth (mm)	C/C OF Pipes (mm)	Towel Gaps	Pipes or Sections	Heat Output (BTU/w) ΔT50		Finish S:BrushedMatt P:Polished
GA238G12	1200	540	84	500	3	6	2821	827	SP





SCALES

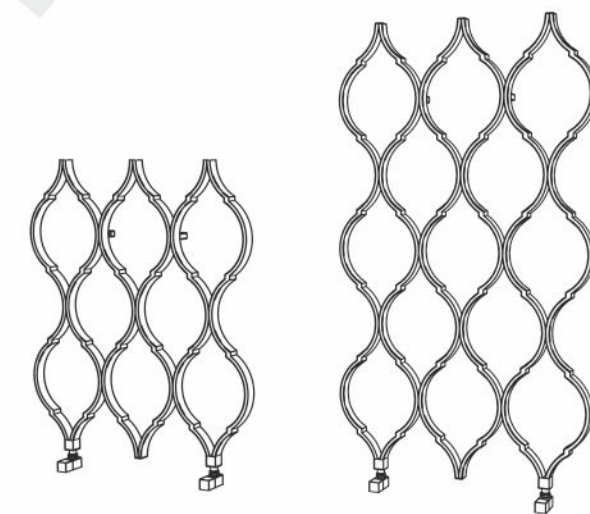
An eastern master piece from the legends of “The thousand and one nights”. Find your self in the mirror while your eyes sparkle because of it's beauty.



SCALES

V MOUNT POSITION
 O C OPEN/CLOSED SYSTEM
 6 WORKING PRESSURE
 120°C WORKING TEMP.
 3 YEARS WARRANTY

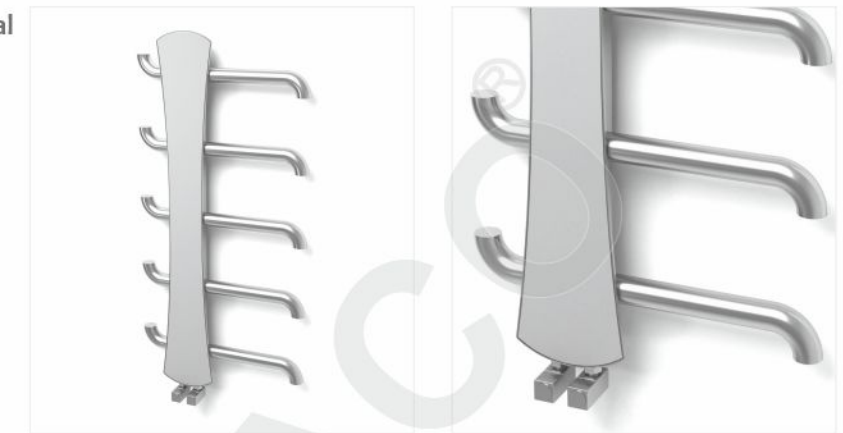
Product Name	Height (mm)	Length (mm)	Depth (mm)	C/C OF Pipes (mm)	Pipes or Sections	Heat Output (BTU/w) ΔT50		Finish S:BrushedMatt P:Polished
SC240G08	900	750	27	500	6	355	104	S
SC240G13	1350	750	36	500	6	532	156	S





BARISTA

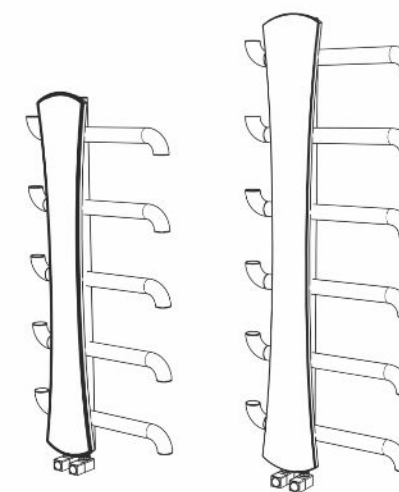
Fabulous curved bars in a special towel dryer design decorated with fine elegant mirror to attract attention and spread beauty and shine.



BARISTA

E ELECTRICAL
 V MOUNT POSITION
 O C OPEN/CLOSED SYSTEM
 8 WORKING PRESSURE
 120°C WORKING TEMP.
 3 YEARS WARRANTY

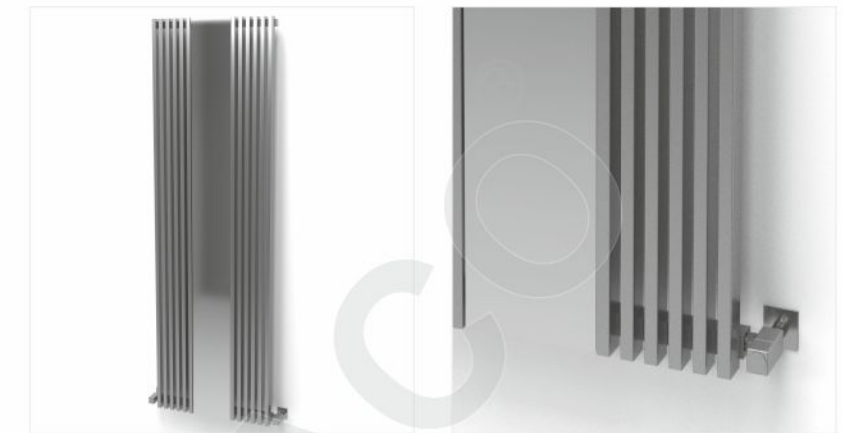
Product Name	Height (mm)	Length (mm)	Depth (mm)	C/C OF Pipes (mm)	Pipes or Sections	Heat Output (BTU/w) ΔT50		Finish S:BrushedMatt P:Polished
BA242G10	1000	500	50	50	5	1190	347	P
BA242G12	1250	500	50	50	6	1428	416	P





VISARD

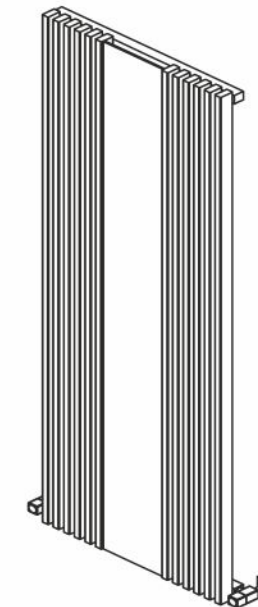
The last word in practicality.
 combines a full-length mirror
 with attractive heated bars.
 Not only perfect for
 bathrooms, Bedrooms...
 But getting ready for a great
 night out.



VISARD

V H MOUNT POSITION
 O C OPEN/CLOSED SYSTEM
 8 WORKING PRESSURE
 120°C WORKING TEMP.
 3 YEARS WARRANTY

Product Name	Height (mm)	Length (mm)	Depth (mm)	C/C OF Pipes (mm)	Pipes or Sections	Heat Output (BTU/w) ΔT50		Finish S:BrushedMatt P:Polished
VI244G15	1500	680	70	50 - 640	12	3900	1143	S/P
VI244G18	1800	680	70	50 - 640	12	4680	1371	S/P
VI244G20	2000	680	70	50 - 640	12	5200	1524	S/P





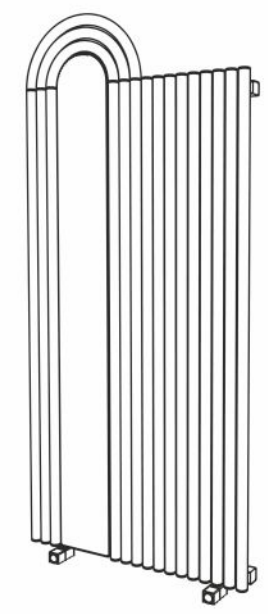
Such a practical, strong radiator design. All you need of beauty, style and heat in one stunning peice.



SKY

V MOUNT POSITION
 O C OPEN/CLOSED SYSTEM
 10 WORKING PRESSURE
 120°C WORKING TEMP.
 3 YEARS WARRANTY

Product Name	Height (mm)	Length (mm)	Depth (mm)	C/C OF Pipes (mm)	Pipes or Sections	Heat Output (BTU/w) ΔT50		Finish S:BrushedMatt P:Polished
SK246G15	1500	700	55	50 - 660 (790)	15	3230	947	P





ZEUS

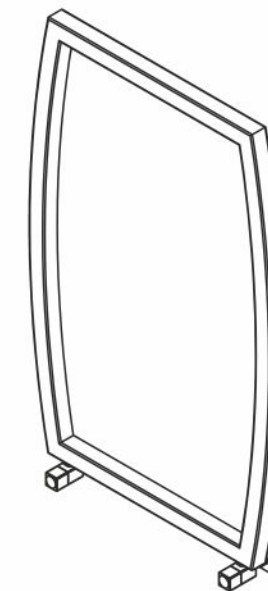
Focus on adding efficiency to a real fantastic accessory. could have normal or customized patterned mirror inside.



ZEUS

V H MOUNT POSITION
 O C OPEN/CLOSED SYSTEM
 10 WORKING PRESSURE
 120°C WORKING TEMP.
 3 YEARS WARRANTY

Product Name	Height (mm)	Length (mm)	Depth (mm)	C/C OF Pipes (mm)	Pipes or Sections	Heat Output (BTU/w) ΔT50		Finish S:BrushedMatt P:Polished
ZE248G08	800	610	40	50 - 500	1	804	236	S
ZE248G10	1000	640	40	50 - 500	1	904	266	S
ZE248G12	1250	680	40	50 - 500	1	1130	332	S



MAXIMUM DESIGN VARIETY

JUST ONE QUICK GLANCE THROUGH THIS COLLECTION OF LUXURIOUS HEATED SCULPTURES FROM RADIACO IS ENOUGH TO DEMONSTRATE HOW ECLECTIC THE RANGE OF DESIGNS, SIZES AND INFLUENCES IS.

OUR TOP CLASS TEAM OF DESIGNERS HAVE BEEN INSPIRED BY SO MANY DIFFERENT THEMES AND IDEAS THAT IT WOULD BE IMPOSSIBLE TO LIST THEM ALL ON JUST ONE PAGE. INFLUENCES FROM ALL DESIGN THEMES, INSPIRATIONS FROM NATURE AND DIFFERENT ARTS CAUSED TO CREATE MAXIMUM DESIGN VARIETY WITH MORE THAN 125 MODELS DIVIDED IN TO 8 CLASSES.

THERE REALLY IS SOMETHING TO SUIT EVERYONE'S TASTE AND STYLE. WHICH IS YOUR FAVORITE DESIGN?

Simple SIMPLE



ENZO	252
ENZO G	254
SNAKE	256
LADDER	258
ZEBRA	260
VERSACE	262
BEVEL	264
ZO ZO	266
KYLIE	268
ELEMENT	270
SWAY	272
EQUAL	274



ENZO

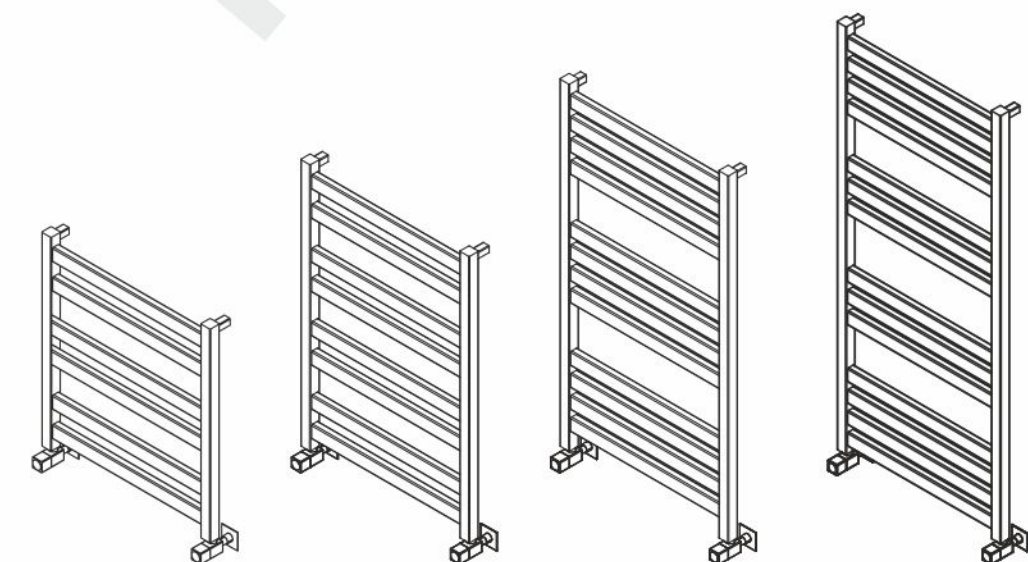
Beautiful, Classic, Simple Dual Cubed architectural and practical lines of this towelrail give it an enduring no-nonsense appeal. Performance and durability guaranteed.



ENZO

E ELECTRICAL
 V MOUNT POSITION
 O C OPEN/CLOSED SYSTEM
 8 WORKING PRESSURE
 120°C WORKING TEMP.
 5 YEARS WARRANTY

Product Name	Height (mm)	Length (mm)	Depth (mm)	C/C OF Pipes (mm)	Towel Gaps	Pipes or Sections	Heat Output (BTU/w) ΔT50		Finish S:BrushedMatt P:Polished
EN252S06	600	530	30	500	2	6	501	147	S/P
EN252S08	770	530	30	500	3	8	547	160	S/P
EN252S10	1000	530	30	500	2	12	819	240	S/P
EN252S12	1200	530	30	500	3	14	1010	296	S/P





ENZO G

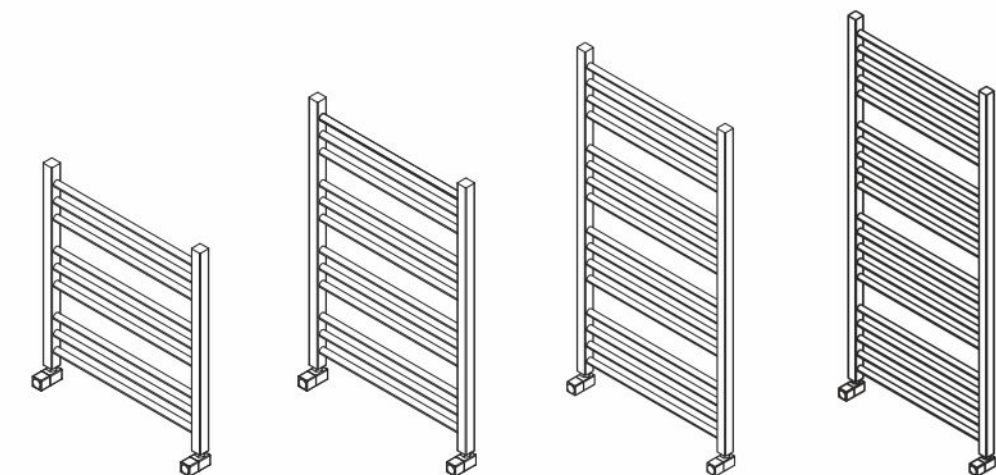
Nostalgically renewal Dual or trinal curved architectural and Practical Lines of this towel rail give it an enduring, no non-sense appeal.



ENZO G

E ELECTRICAL
 V MOUNT POSITION
 O C OPEN/CLOSED SYSTEM
 8 WORKING PRESSURE
 120°C WORKING TEMP.
 5 YEARS WARRANTY

Product Name	Height (mm)	Length (mm)	Depth (mm)	C/C OF Pipes (mm)	Towel Gaps	Pipes or Sections	Heat Output (BTU/w) ΔT50		Finish S:BrushedMatt P:Polished
EG254S06	600	530	30	500	2	9	501	147	S/P
EG254S08	770	530	30	500	3	12	547	160	S/P
EG254S10	1000	530	30	500	3	16	819	240	S/P
EG254S12	1200	530	30	500	3	20	1010	296	S/P





Snake SNAKE

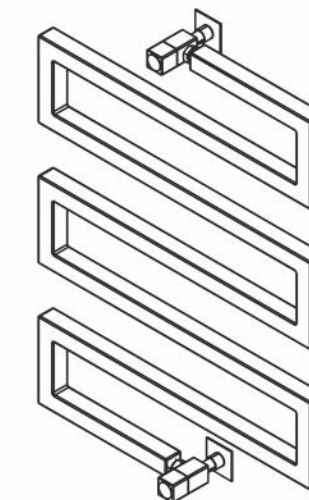
This stainless steel towel rail is a sign of engineered simplicity that incorporates plenty of spaces to warm towels.



SNAKE

E ELECTRICAL
 V MOUNT POSITION
 O C OPEN/CLOSED SYSTEM
 8 WORKING PRESSURE
 120°C WORKING TEMP.
 5 YEARS WARRANTY

Product Name	Height (mm)	Length (mm)	Depth (mm)	C/C OF Pipes (mm)	Towel Gaps	Pipes or Sections	Heat Output (BTU/w) ΔT50		Finish S:BrushedMatt P:Polished
SN256S05	530	530	30	500	2	5	595	174	S/P
SN256S08	780	530	30	750	4	7	973	285	S/P
SN256S10	1030	530	30	1000	6	9	1414	414	S/P
SN256S13	1280	530	30	1250	8	11	1946	570	S/P



LADDER

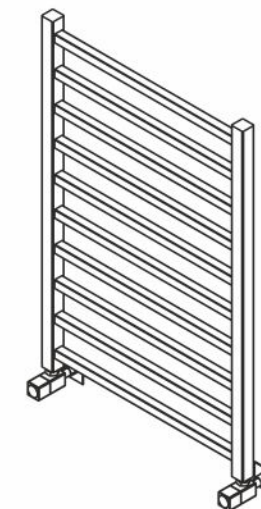
Cat-like grace. This perfectly designed towel rail climbs the wall with effortless style, while radiating enough heat to keep the fussiest feline warm and content.



LADDER

E ELECTRICAL
 V MOUNT POSITION
 O C OPEN/CLOSED SYSTEM
 8 WORKING PRESSURE
 120°C WORKING TEMP.
 5 YEARS WARRANTY

Product Name	Height (mm)	Length (mm)	Depth (mm)	C/C OF Pipes (mm)	Towel Gaps	Pipes or Sections	Heat Output (BTU/w) ΔT50		Finish S:BrushedMatt P:Polished
LA258S08	850	530	30	500	10	12	1243	364	S/P
LA258S10	1000	530	30	500	12	14	1455	426	S/P
LA258S12	1200	530	30	500	14	16	1689	495	S/P
LA258S13	1350	530	30	500	16	18	1950	571	S/P





ZEBRA

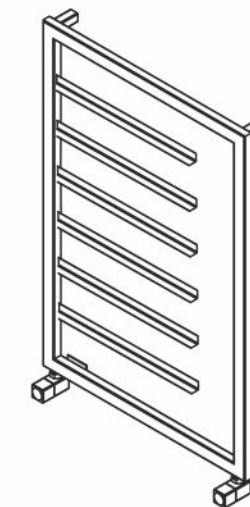
Some delicate heating bars inside a reliable frame that provides heat, simplicity and beauty any time.



ZEBRA

E ELECTRICAL
 V MOUNT POSITION
 O C OPEN/CLOSED SYSTEM
 8 WORKING PRESSURE
 120°C WORKING TEMP.
 5 YEARS WARRANTY

Product Name	Height (mm)	Length (mm)	Depth (mm)	C/C OF Pipes (mm)	Towel Gaps	Pipes or Sections	Heat Output (BTU/w) ΔT50		Finish S:BrushedMatt P:Polished
ZE260S06	600	540	30	50 - 500	5	6	937	274	S/P
ZE260S08	800	540	30	50 - 500	7	8	1077	284	S/P
ZE260S10	1000	540	30	50 - 500	9	10	1238	326	S/P
ZE260S12	1200	540	30	50 - 500	11	12	1423	375	S/P





VERSACE

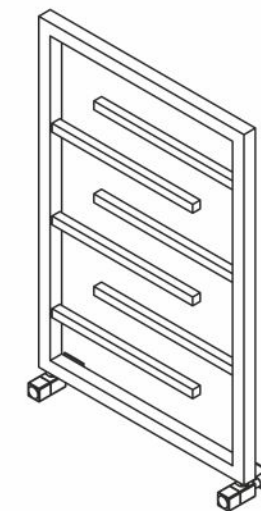
Delicately provides heat and beauty. gently warms your room and towel without any exaggeration about that.



VERSACE

E ELECTRICAL
 V MOUNT POSITION
 O C OPEN/CLOSED SYSTEM
 8 WORKING PRESSURE
 120°C WORKING TEMP.
 5 YEARS WARRANTY

Product Name	Height (mm)	Length (mm)	Depth (mm)	C/C OF Pipes (mm)	Towel Gaps	Pipes or Sections	Heat Output (BTU/w) ΔT50		Finish S:BrushedMatt P:Polished
VE262S06	600	540	30	50 - 500	5	6	937	274	S/P
VE262S08	800	540	30	50 - 500	7	8	1077	284	S/P
VE262S10	1000	540	30	50 - 500	9	10	1238	326	S/P
VE262S12	1200	540	30	50 - 500	11	12	1423	375	S/P



BEVEL

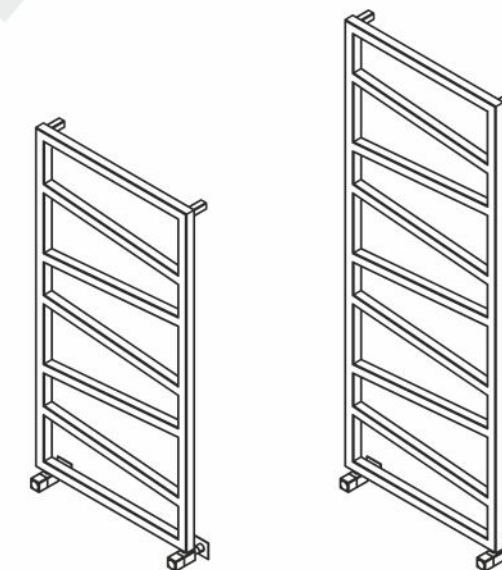
An attractive way to keep out the cold. Oblique heat bars of this simple designed towel rail reject the idea of always be repetitive.



BEVEL

E ELECTRICAL
 V MOUNT POSITION
 O C OPEN/CLOSED SYSTEM
 8 WORKING PRESSURE
 120°C WORKING TEMP.
 5 YEARS WARRANTY

Product Name	Height (mm)	Length (mm)	Depth (mm)	C/C OF Pipes (mm)	Towel Gaps	Pipes or Sections	Heat Output (BTU/w) ΔT50		Finish S:BrushedMatt P:Polished
BE264S06	600	540	30	50 - 500	5	6	1077	284	S/P
BE264S08	800	540	30	50 - 500	6	7	1206	318	S/P
BE264S10	1000	540	30	50 - 500	8	9	1350	356	S/P
BE264S12	1200	540	30	50 - 500	9	10	1512	399	S/P





ZO ZO

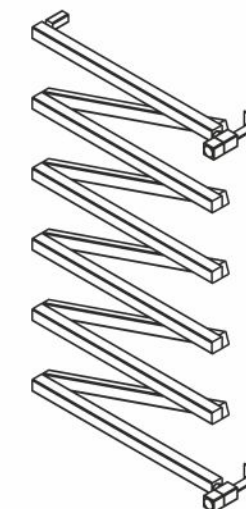
This tactile towel rail may give you ideas above your station as it gently warms your towels to keep out the cold. Simply designed; superbly engineered.



ZO ZO

E ELECTRICAL
 V MOUNT POSITION
 O C OPEN/CLOSED SYSTEM
 8 WORKING PRESSURE
 120°C WORKING TEMP.
 5 YEARS WARRANTY

Product Name	Height (mm)	Length (mm)	Depth (mm)	C/C OF Pipes (mm)	Towel Gaps	Pipes or Sections	Heat Output (BTU/w) ΔT50		Finish S:BrushedMatt P:Polished
ZZ266S05	530	530	30	500	3	7	804	236	S/P
ZZ266S09	860	530	30	830	5	11	924	271	S/P
ZZ266S12	1200	530	30	1160	7	15	1063	312	S/P





KYLIE

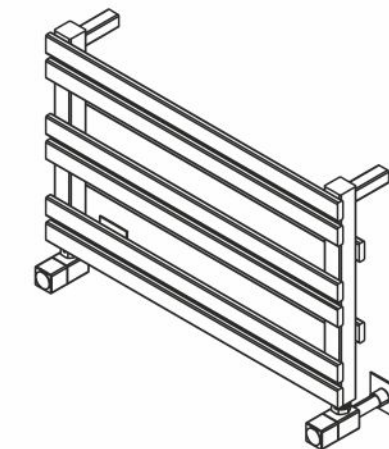
Simple but efficient. Offers the most heat output according to the dimensions. Ensure to have enough spaces for towels.



KYLIE

E ELECTRICAL
 V MOUNT POSITION
 O C OPEN/CLOSED SYSTEM
 8 WORKING PRESSURE
 120°C WORKING TEMP.
 5 YEARS WARRANTY

Product Name	Height (mm)	Length (mm)	Depth (mm)	C/C OF Pipes (mm)	Towel Gaps	Pipes or Sections	Heat Output (BTU/w) ΔT50		Finish S:BrushedMatt P:Polished
KY268S05	470	600	50	500	2	8	1202	352	S/P
KY268S08	830	600	50	500	3	11	2011	589	S/P





Element ELEMENT

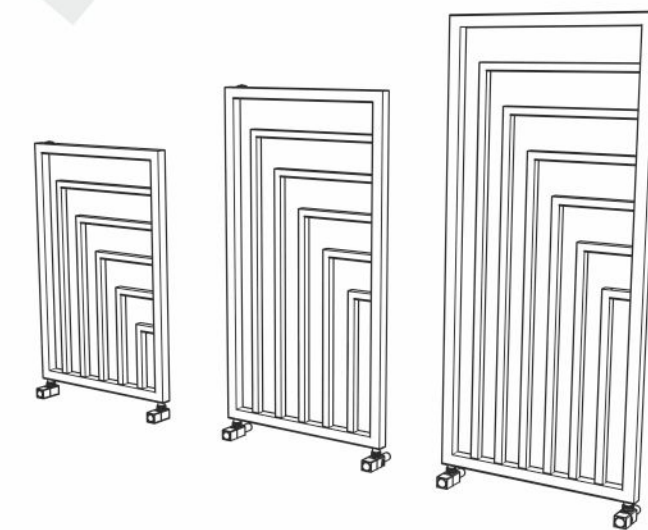
A creative design in the framework of simplicity. Enough space for your towels, enough heat to achieve your optimal temperature.



ELEMENT

E ELECTRICAL
 V MOUNT POSITION
 O C OPEN/CLOSED SYSTEM
 8 WORKING PRESSURE
 120°C WORKING TEMP.
 5 YEARS WARRANTY

Product Name	Height (mm)	Length (mm)	Depth (mm)	C/C OF Pipes (mm)	Towel Gaps	Pipes or Sections	Heat Output (BTU/w) ΔT50	Finish S:BrushedMatt P:Polished
EL270S08	800	540	30	50 - 500	6	7	1077 284	S/P
EL270S08	1000	540	30	50 - 500	6	7	1206 318	S/P
EL270S08	1200	540	30	50 - 500	7	8	1350 356	S/P



SWAY

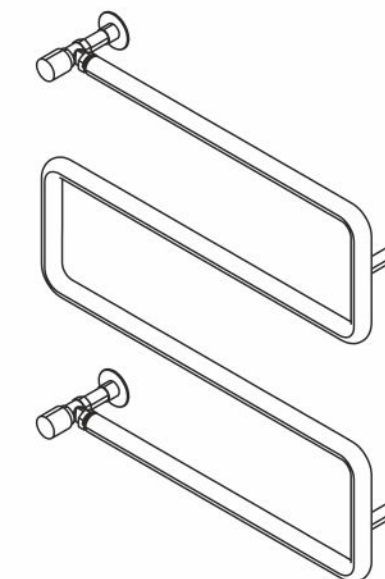
Fine Tubular stainless steel heat bar that sways on your wall to show endless creativity along with simplicity.



SWAY

E ELECTRICAL
 V MOUNT POSITION
 O C OPEN/CLOSED SYSTEM
 8 WORKING PRESSURE
 120°C WORKING TEMP.
 5 YEARS WARRANTY

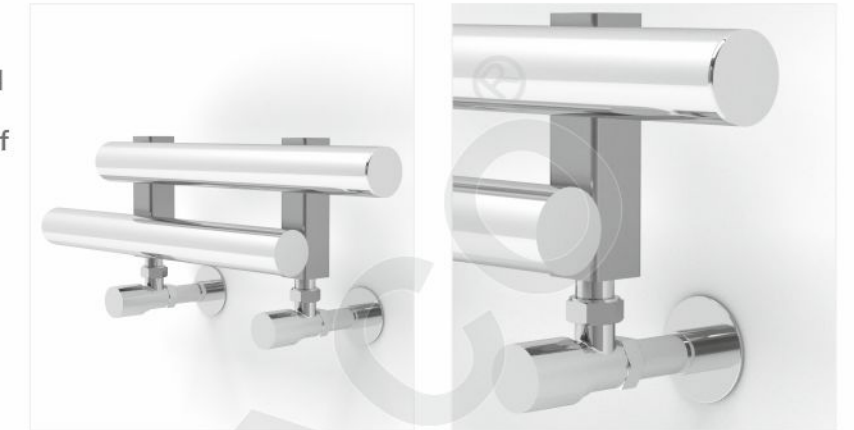
Product Name	Height (mm)	Length (mm)	Depth (mm)	C/C OF Pipes (mm)	Towel Gaps	Pipes or Sections	Heat Output (BTU/w) ΔT50	Finish S:BrushedMatt P:Polished
SW272S05	525	525	25	500	3	4	405 119	P





EQUAL

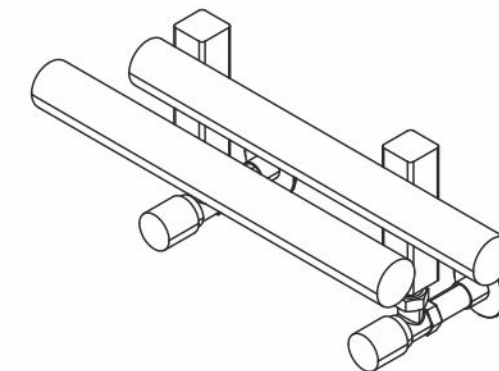
Small is beautiful. This attractively proportioned towel rail can grace the most bijoux of bathrooms and comes with an impressive heat output.



EQUAL

V MOUNT POSITION
 O C OPEN/CLOSED SYSTEM
 8 WORKING PRESSURE
 120°C WORKING TEMP.
 5 YEARS WARRANTY

Product Name	Height (mm)	Length (mm)	Depth (mm)	C/C OF Pipes (mm)	Towel Gaps	Pipes or Sections	Heat Output (BTU/w) ΔT50		Finish S:BrushedMatt P:Polished
EQ274S13	130	750	70	50 - 500	2	2	355	104	S/P



Its all about the future and hope. Its all about Believing in the positive aspects of life.
All of us in Radiaco group want you to enjoy more of heating and to enjoy more of life.
This is just a small part of our goals and dreams. more products and more surprises are
on the way...










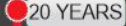
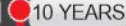


Azadi tower, Tehran

ACCESSORY



SYMBOL GUIDE

-  8  10 Maximum Working Pressure (Bar)
-  120°C Maximum Working Temperature
-   Open Heating System, Closed Heating System
-  Electrical Option
-    Mounting Position: Vertical, Horizontal, Freestanding
-   Warranty

VALVES



Polished / Brushed
Round valve set



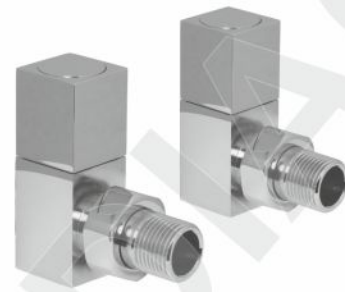
Polished / Brushed
Solid Round valve set



Polished / Brushed
Italian style Round valve set



Polished / Brushed
Straight Cube valve set



Polished / Brushed
Cube valve set



Polished / Brushed
Italian style cube valve set

ELECTRIC ELEMENTS

HEATERS WITH ELECTRONIC TEMPERATURE CONTROLS



We have different models of elements such as automatic and thermostatic ones along with special liquid which transmits heat for dual fuel system towel warmer and radiators.

STEEL COVERS



303



304



305



306

PVC COVERS



301



302

COLOR OPTIONS

Matte Finish

Polished Finish

Brushed Finish

Matte PVD Gold

Super Matte Black

Static Gold

Polished PVD Gold

Matte Black

Blue

Matte PVD Bronze

Matte White

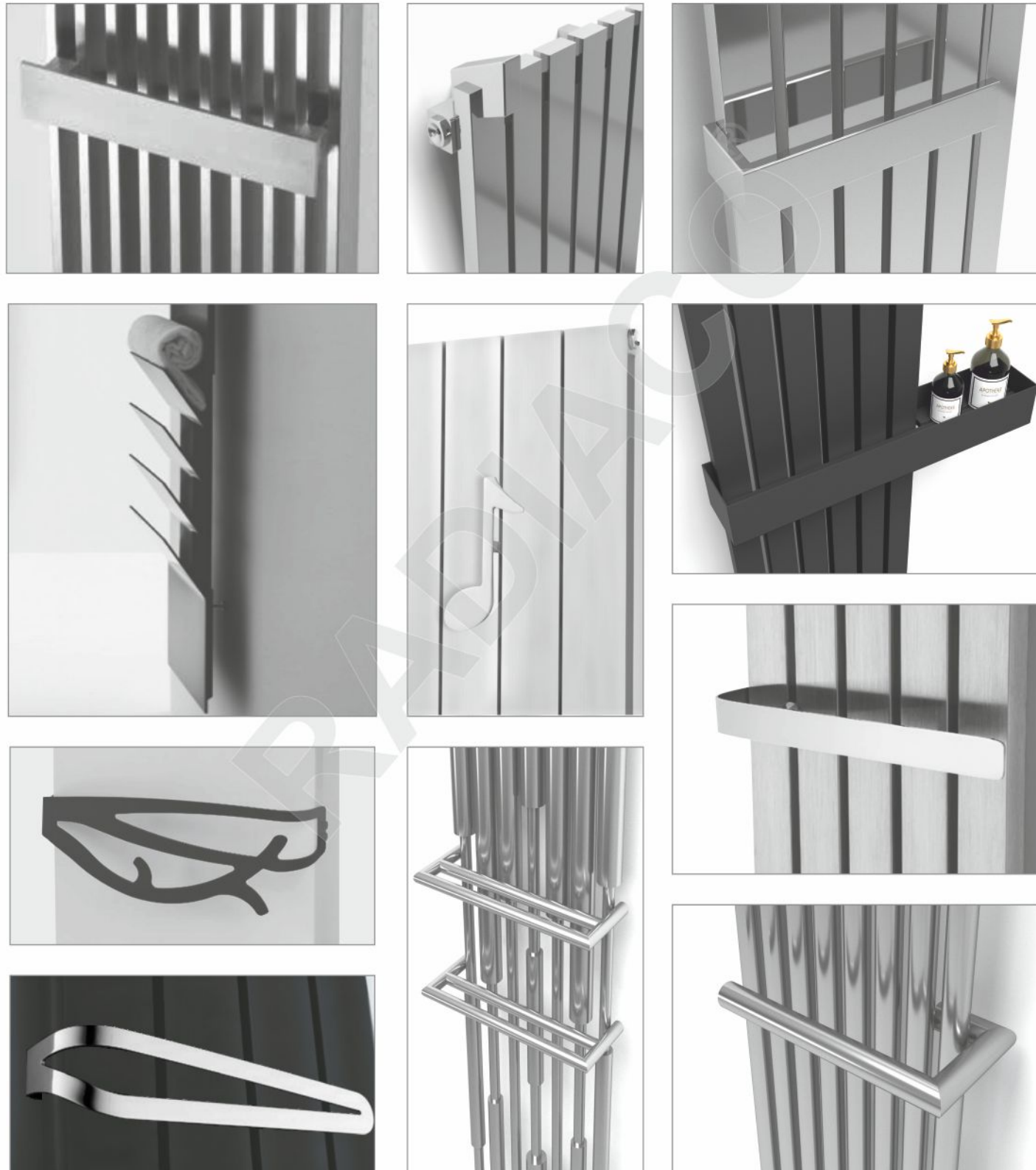
Yellow

Polished PVD Bronze

Matte Gray

Other colors

HANGER



BASIC HEAT LOSS CALCULATOR

According to EN 442, inlet water temperature of 75°C, outlet water temperature of 65°C, and room temperature of 20°C are assumed. All heat output figures published in our publications are aligned to EN442.

The total heat output of the radiator you choose must compensate for the heat loss of your room so that it will maintain the interior temperature at 20°C. The following calculation will give you indication of your heat loss. If you would like to take into account all the factors affecting the heat loss, then you will need to use the more comprehensive heat loss calculator available at www.radiacogroup.com

If you have limited space or a very large room, you can always put more than one radiator per room.

Preferably you should locate radiators near windows and doors where heat loss is highest.

Measure your living room in metres:

Height_m : Length_m : Depth_m

ie : H:2.64m, L:3.65m, D:4.94m

Calculate the volume of the room:

H x L x D = cubic metres

ie : 2.64 x 3.65 x 4.94 = 47.60 cubic metres

Multiply by a coefficient for each desired room temperature:

42: bedrooms (to achieve 18°C)

52: bathrooms, wc, living, study, dining etc (to achieve 21°C)

ie : living room (52): 47.60 x 52 = 2475 watts

The heat loss in the living room is 2475 watts, but there are following factors we need to consider for a better result – we need to add 10% for every factor given here below.

- Outside walls, if it is a corner room calculate two outside walls, which means (10% and 10%)
- Northern aspect room
- Ceiling height more than 2.7m
- Excessively large windows
- Single glaze
- Outside temperature assumed as -1°C, but if you would like to assume -2°C add 10%, -4°C add another 10%, -10°C add another 10%

ie : One outside wall, excessive window, 2475 x 1.1 x 1.1 = 2970 watts or 2554 kcal or 10144 btu – the final heat loss calculation.

NOTE

NOTE

Handwriting practice area with 20 horizontal dotted lines.

